



# GAS ALARM SYSTEMS

Phosphine (PH <sub>3</sub> )			
:		0 - 5 ppm	
		± 10 %	
		15 – 90 % RH non-condensing	
		5 °C to 30 °C (41 °F to 86 °F)	
		Max. 6	
		0.8 m (2.5 ft.)	
		± 0,03 ppm	
		< 2 % of reading	
		< 2%	
		t <sub>90</sub> ≤ 25 sec.	
		> 2	
		-10 °C to + 45 °C (14 °F to 113 °F)	
	*	(ppm)	(ppm PH <sub>3</sub> )
Carbon monoxide, CO	100	0	
Silane, SiH <sub>4</sub>	10	5	
Sulphur dioxide, SO <sub>2</sub>	100	25	
Hydrogen sulphide, H <sub>2</sub> S	34	~ 8	
Nitrogen oxide, NO	100	0	
Nitrogen dioxide, NO <sub>2</sub>	100	~ - 30	
Hydrogen, H <sub>2</sub>	100	0	
		18 - 28 VDC/AC,	
	( )	22 mA, max. (0,6 VA)	
		(0) 4 – 20 mA, load ≤ 500 Ω,	
:	/	(0) 2 - 10 V; load 50 k Ω	
	0 / 20 %		
		RS 485 / 19200 Baud (9600 at Mod_Bus)	
	A*		
		UL 94 V2	
	*	RAL 7032 ( )	
(W x H x D)		94 x 130 x 57 mm (3.7 x 5.12 x 2.24 inch.)	
		0.5 kg (1.1 lbs.)	
		IP 65	
		1 x M 20	
		, min. 0.25 mm <sup>2</sup> (24 AWG) max. 2.5 mm <sup>2</sup> (14 AWG)	
		: ca. 500 m (1500 ft)	
		: ca. 200 m (600 ft.)	
		EMC Directive 2004 / 108 / EEC, CE	
	1	( )	

<sup>1</sup> \*Другие газы также могут влиять на чувствительность. Указанные данные о кросс-чувствительности действительны только для новых датчиков

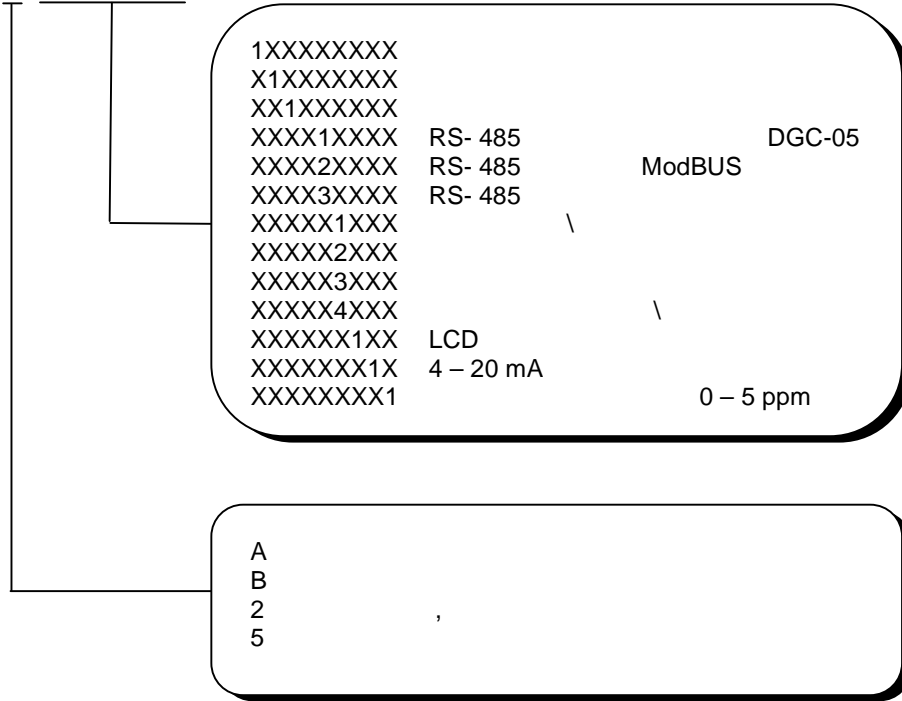


## GAS ALARM SYSTEMS

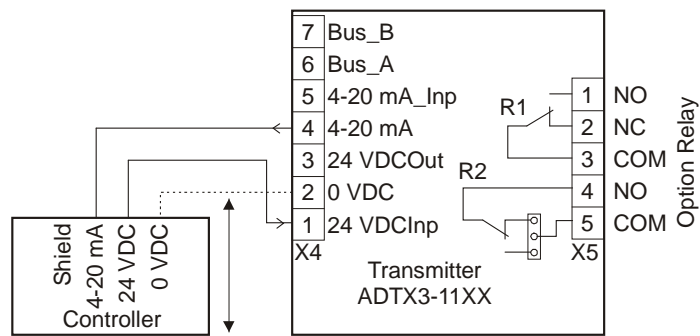
Alarm relay 1	30 VAC/DC 0,5 A, potential-free, SPDT
Alarm relay 2	30 VAC/DC 0,5 A, potential-free, SPNO/SPNC 30 mA, max. 0,8 VA
	85 dB ( 300 mm) (1 ft.) 3,5 kHz 30 mA, max. 0,8 VA
<b>LCD</b>	
LCD	2 16 10 mA, max. 0,3 VA
	3 °C ±2°C (37,4 °F ± 3,6 °F) - 40 °C (-40 °F) 18 - 28 VDC/AC 0,3 A; 7,5 VA
RS-485	4 – 20 mA 200 Ω 24 VDC max. load 50 mA

# GAS ALARM SYSTEMS

ADT-53-1187-X-XXXXXXXXXX



: ADT-53-1187-5-00001001



0 VDC: Two-wire operation only with 4-20 mA output signal!