

Energom-PR 200

Motor protection Relay

Description

Energom-PR200 motor protector is an all-in-one solution designed to continuously monitor 3-phase power lines for abnormal conditions. It can use with motors of any size or type.

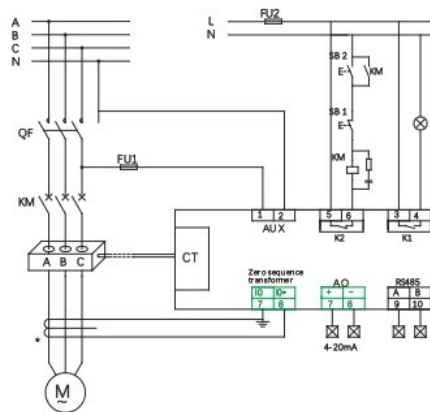
When the Energom-PR200 sense the motor runs into the preset abnormal alarm value, Energom-PR200 will automatically trigger the release switch to shut down the circuit. Option RS485 communication port can upload the monitor data and alarm status to remote control system.

Features

- Low cost electronic design relay, can replace a variety of single function protection relays.
- Suit for Motor under 0.66KV.
- Build in 3P CT for current sampling, suit for current under 200A.
- 2 digital outputs for external control loops.
- Optional RS-485 network communications.
- Optional earth leakage sensor or analog output.



Wiring diagrams



Installation Dimensions

