



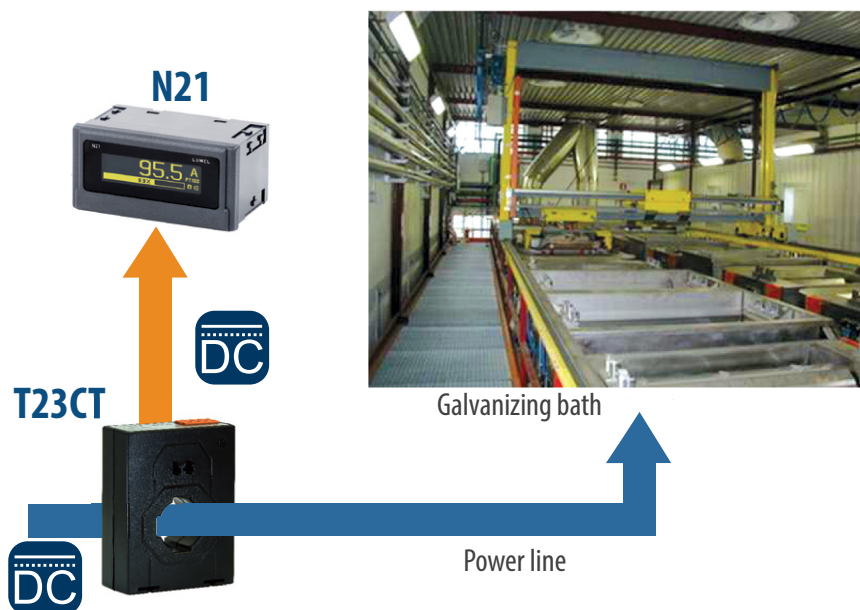
## T23CT - AC/ DC TRANSUDCER

- The Hallotron transducer is intended for continuous conversion of the effective DC and AC current into a standardized DC signal.
- The transducer's output signal is galvanically isolated from the input signal.
- The transducer is mounted directly on the busbar using mounting screws, on the wall or on a 35 mm DIN rail using additional fasteners.
- The transducer housing is made of plastic. The spring clamps allow connection of wires up to 2.5 mm<sup>2</sup>.



### APPLICATION EXAMPLE

#### Current measurement in electroplating



## INPUT



## OUTPUT



## GALVANIC ISOLATION



## TECHNICAL DATA

### INPUT

Input type	Properties
Hole for bar conductor	Primary current In: 50, 100, 150, 200 or 300 A a.c./d.c. (according to the ordering code)

### OUTPUT

Output type	Properties
Analog	1 output: 4...20 mA Load resistance $\leq 500 \Omega$ . Response time 500 ms. Basic error 0.5 %.

### EXTERNAL FEATURES

External dimensions	70 x 92 x 47 mm	otwór montażowy 92,5 x 92,5 mm
Busbar	30 x 10 mm	hole diameter: 28 mm
Weight	0.3 kg	
Protection degree	housing: IP65	terminals: IP40

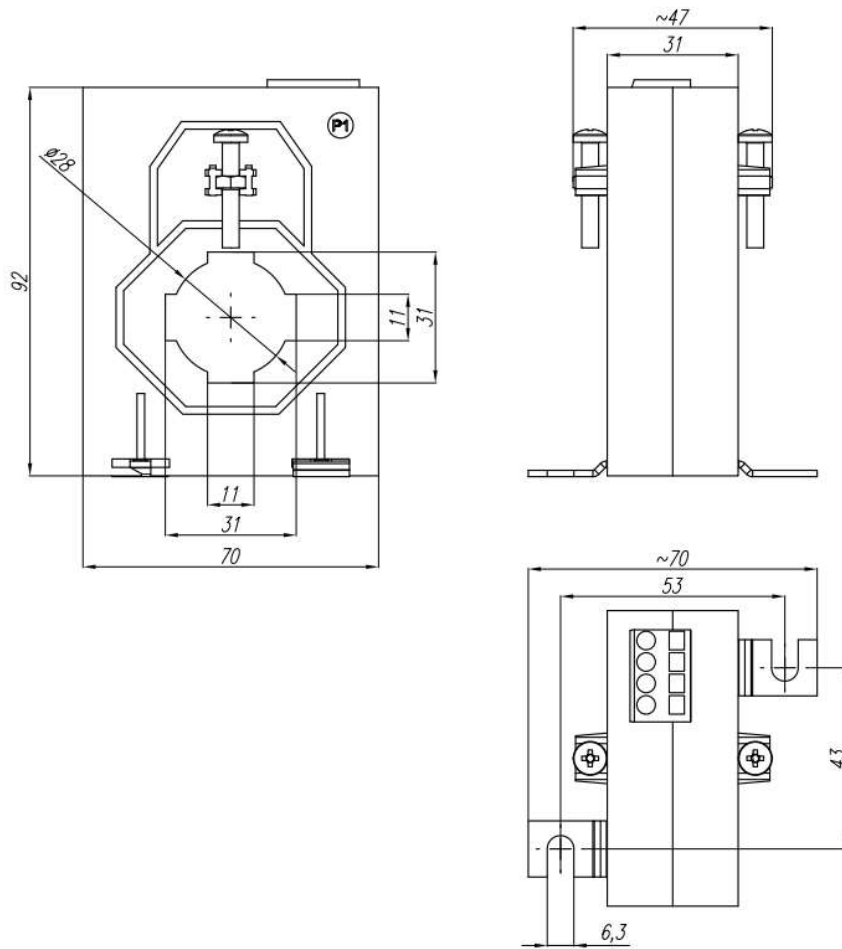
### RATED OPERATION CONDITIONS

Supply voltage	24 V $\pm$ 20% d.c.	
Power consumption	in supply circuit: 5 W	in current circuit: $\leq 0.2$ VA
Input signal	0 .. 0.1..1.2 I <sub>n</sub>	frequency d.c. or 20..45..70 Hz; sinusoidal (THD $\leq 8\%$ )
Warm-up time	15 min.	
Ambient temperature	-25 ..23..+55 °C, class K55 acc. to EN61557-12	
Storage temperature	-40 ...+70 °C	
Humidity	0...40...60...95%	unacceptable condensation
Operating position	any	
Zewnętrzne pole magnetyczne	0...40...400 A/m d.c.	3 A/m a.c. 50/60 Hz
Permissible power crest factor	2	
Additional errors in the% basic error	from changes in ambient temperature: $< 50\%$ / 10°C	for THD $> 8\%$ : $< 50\%$

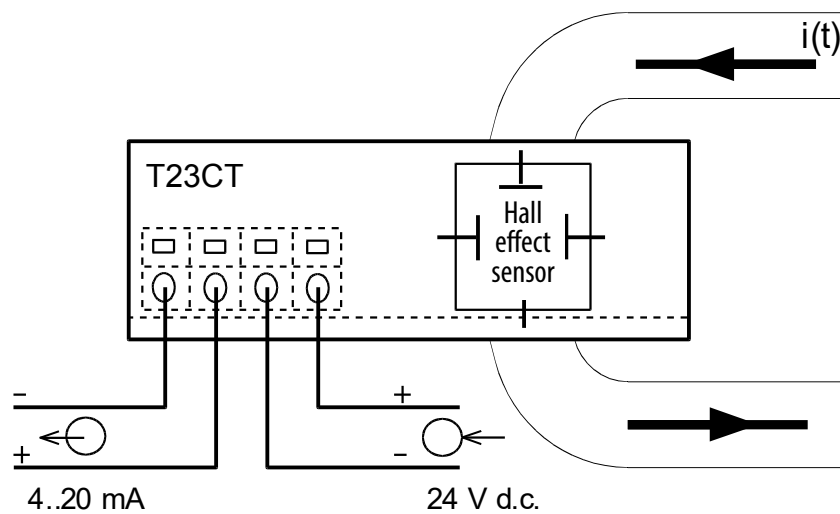
### SAFETY AND COMPATIBILITY REQUIREMENTS

Electromagnetic compatibility	noise immunity	acc. to EN 61000-6-2
	noise emissions	acc. to EN 61000-6-4
Isoalton between busbar and other circuits	double	acc. to EN 61010-1
Pollution level	2	acc. to EN 61010-1
Installation category	III	acc. to EN 61010-1
Maximal phase-to-earth voltage	<ul style="list-style-type: none"> <li>current busbar 600 V</li> <li>for supply voltage and analog output: 50 V</li> </ul>	acc. to EN 61010-1
Altitude above sea level	$< 2000$ m	

## DIMENSIONAL DRAWING



## CONNECTION DIAGRAM



## ORDERING

Transducer T23CT -	X	X	XX	X	X
<b>Primary current In [A]:</b>					
50	1				
100	2				
150	3				
200	4				
300	5				
<b>DIN rail mounting kit:</b>					
without	0				
with	1				
<b>Version:</b>					
standard			00		
with a graphene sensor*			01		
<b>Language:</b>					
polish-english					M
<b>Acceptance tests:</b>					
without extra requirements					0
with an extra quality inspection certificate					1
with a test certificate					2

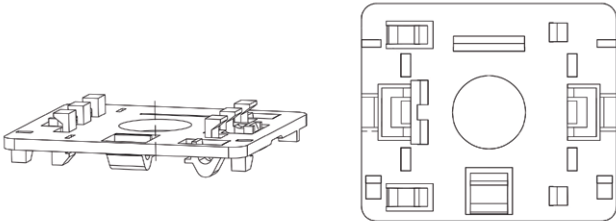

### Order example:

The code: **T23CT-4 1 00 M 0** means:

- T23CT** - transducer T23CT
- 4** - primary current 200 A,
- 1** - with DIN rail mounting kit,
- 00** - standard version,
- M** - polish-english user's manual,
- 0** - without extra requirements.

\* after agreeing with the manufacturer

### ACCESSORIES:

ACCESSORIES			ORDERING CODE
DESCRIPTION	VIEW		
DIN rail mounting kit			LH000-0904-130-128
Busbar and wall mounting kit	 <p>Thread cutting screw 4 x 45mm      Wall mounting clamp      Swivel      Shoe for self tapping M4 screw</p>		LH000-0904-130-142

For more information about LUMEL products  
please visit our website:

[www.lumel.com.pl](http://www.lumel.com.pl)

Join us at Facebook!



T23CT-19