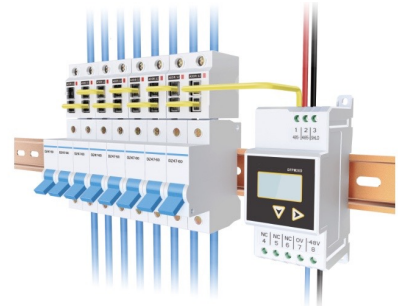


## Application

- Telecoms BTS Billing System
- DC Load Management



## Feature

- **Small Size** - Can be install at the closest point, integrate in existing space
- **Easy Installation** - Consist of main module and measur module, connected by PLbus Daisy chain bus topology and RJ12 port, measure module straight insert into the circuit breaker
- **High Accuracy** - Voltage & Current class 0.5s, kWh class 1.0
- **-48VDC Power Supply** - Special design for Telecom BTS application
- **Wide Measurement Range** - Max. support 63A direct connect, no need for extra Hall Sensor or Shunt
- **Multi Circuit** - Support 12 single phase circuit

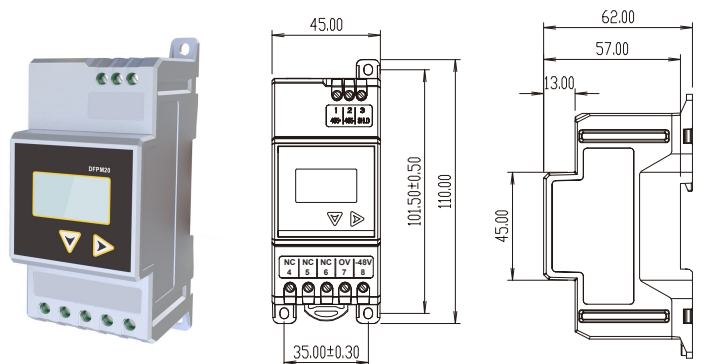
## Function

- **Measure** -- Voltage, Current, Power, Energy (input / output / total)
- **Alarm** - Voltage limit alarm (high limit/ low limit), Current limit alarm (high limit), Communication failure alarm
- **Communication** - Modbus-RTU protocol, RS485 port

## Technical Specification

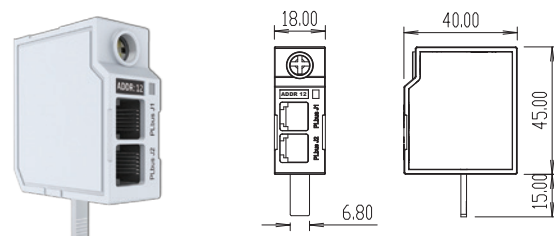
### DFPM20-D-M: Main Module

<b>Connection Mode</b>	1P/2W
<b>Power Supply</b>	-48VDC, range: 50%~125%
<b>Rated Voltage Input</b>	-48VDC, range: 50%~125%
<b>Power Consumption</b>	≤6W
<b>Communication</b>	RS485 port, Modbus-RTU protocol Baud Rate: 4800, 9600, 19200bps Address: 1~247
<b>Installation</b>	DIN35 DIN Rail or back screw fixed



### DCS: Measure Module

<b>Connect ion Mode</b>	Daisy chain bus topology and RJ12 port
<b>Measuring Current</b>	10(63) A
<b>Parameter</b>	Voltage, Current, Power, Energy
<b>Installation</b>	Solid Core



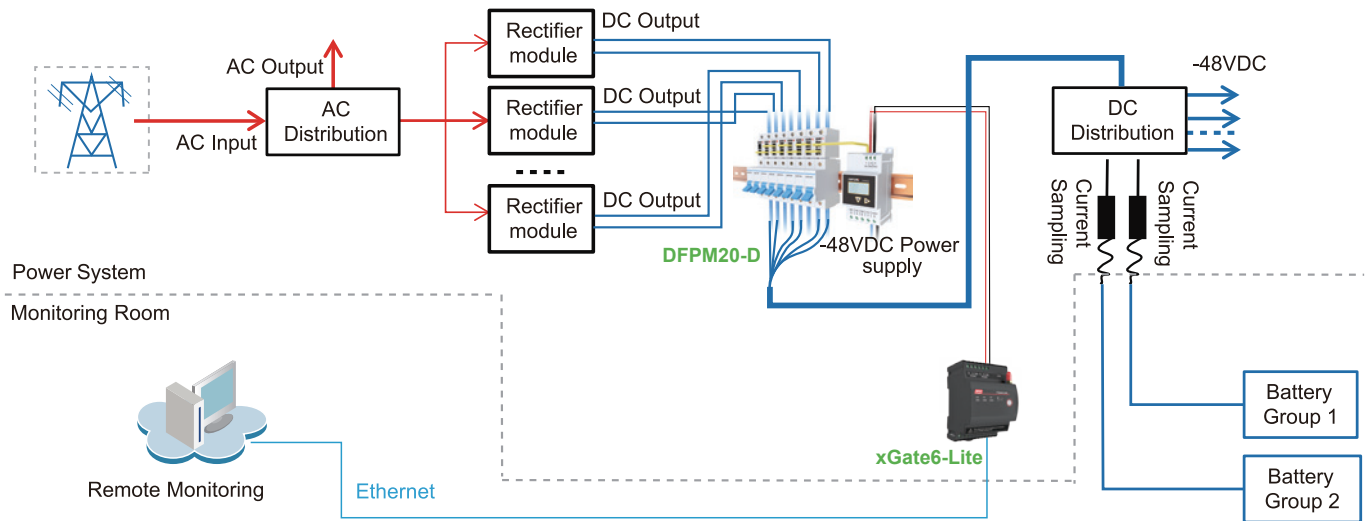
## Accuracy

Parameter Accuracy	Parameter	Range	Accuracy
	Voltage	-38V~-58V	0.5%
	Current	1~63A	0.5%
	Power	Single phase: 0 ~ ±5kW	1.0%
	Energy	0~99999999.9	1.0%

## Environment & Temperature

Environment & Temperature	Working Temperature	Normal	-20°C ~ +60°C
		Limit	-25°C ~ +75°C
Environment & Temperature	Storage Temperature	-30°C ~ +80°C	
	Humidity	< 95%	
	IP Degree	IP20	

## Typical Connection



## Order Information

Module	Order Code	Description
Main Module	DFPM20 - D - M	-48VDC Power Supply, DIN Rail Installation, Modbus-RTU protocol, RS485 port
Measure Module	DCS	Depends on requiremnt, optional from 1 ~ 12 circuit, solid core

- Note:
1. Measure Module connect via RJ12 daisy chain bus topology
  2. Standard 30cm RJ12 line (from main module to measure module) and 6cm RJ12 line (for connect each measure module), please mention for special requirement. Max. length from Main module to the end measure module is 3m.

**For example:** 1pcs DFPM20-D-M + 12pcs DCS indicate 1pcs DFPM20-D main module and 12pcs DCS solid core sensor for 12 DC Circuit measuring, power supply -48VDC.