



# GAS ALARM SYSTEMS

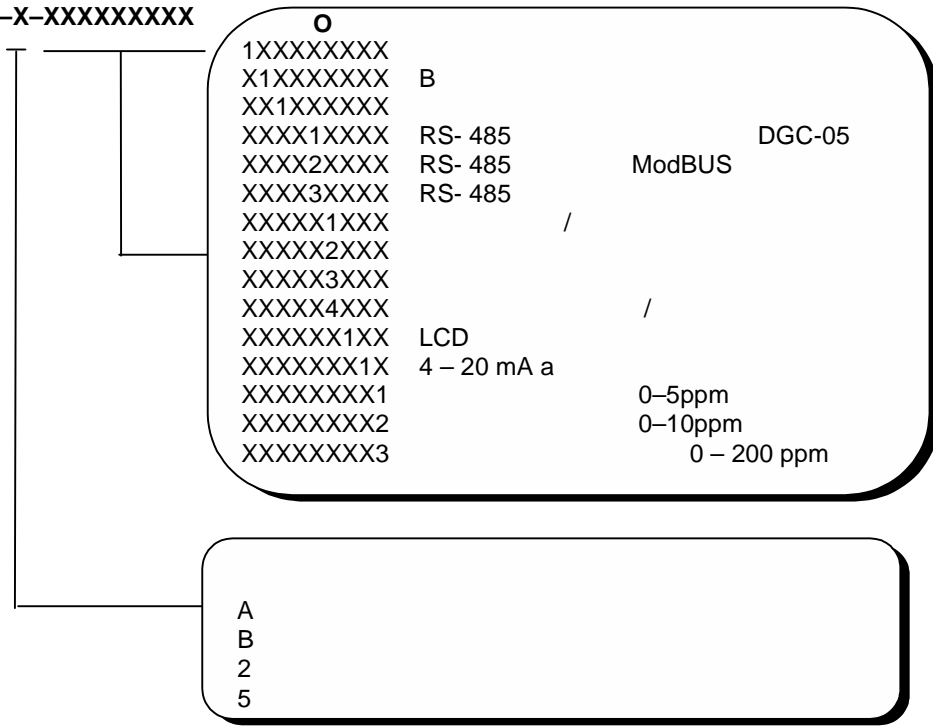
		(H <sub>2</sub> S)	
		0 – 50 ppm	0-200 ppm ( )
		-10 °C to + 45 °C (14 °F to 113°F)	
		<0,2 ppm	
		< 2 % of reading	
		< 2%	
		t <sub>90</sub> 35 s	
		> 2 , ± 10 %	
		15 – 90 % RH	
		5 °C to 30 °C (41 °F to 86 °F)	
		Max. 6	
		0,2 m	
		(ppm)	(ppm H <sub>2</sub> S)
	CO	100	<2
	SO <sub>2</sub>	100	~ 20
	NO <sub>2</sub>	5	- 1.0
	NO	35	<2
	H <sub>2</sub>	100	20
		18-28VDC/AC,	
		( ) 22 mA, max. (0,6 VA)	
A		(0) 4 – 20 mA, load 500 ,	
:	\	(0) 2 – 10 V, load 50 k	
		0 / 20 %	
		RS 485 / 19200 Baud (9600 at Mod_Bus)	
		A2	
		UL 94 V2	
		RAL 7032 ( - )	
		94 x 130 x 57 mm (3.7 x 5.12 x 2.24 inch.)	
		0.5 kg (1.1 lbs.)	
		IP 65	
		1 x M 20	
		, min. 0.25 mm <sup>2</sup> (24	
		AWG) max. 2.5 mm <sup>2</sup> (14 AWG)	
		: 200 m (600 ft.)	
		: 500 m (1500 ft.)	
		EMC Directive 89/336/EEC	
		1 ( )	

# GAS ALARM SYSTEMS

		O
	1	30 VAC/DC, 0,5 A, potential-free, SPDT
	2	30 VAC/DC, 0,5 A, potential-free, SPNO/SPNC
		30 mA, (max 0,8 VA)
		85 dB (distance 300 mm) (1 ft)
		3,5 kHz
		30 mA, (max 0,8 VA)
<b>LCD-</b>		
<b>LCD</b>	2	, 16
		10 mA, (max 0,3 VA)
		3 °C ±2 °C (37.4 °F ± 3,6 °F)
		- 40 °C (- 40 °F)
		18 - 28 VDC/AC, 0,3 A; 7,5 VA
<b>A</b>		
	RS-485	4 – 20 mA
		200
		24 VDC, max. 50 mA

# GAS ALARM SYSTEMS

ADT-53-1190-X-XXXXXXXXXX



0 – 50 ppm,  
: ADT-53-1197-5-000001001

