

PolyGard® Oxygen O₂ Transmitter ADT93 1195



O₂

ADT-93
(0) 4 - 20 RS-485 (0) 2 - 10
 . 2

O₂
PolyGard MGC DGC,



- ,
- ,
- ,
- ,
- ,
- plug-in
- ,
- (0) 4 - 20 / (0) 2 - 10
- ,
- RS-485
- IP65
- ,
- RS-485 () ()
- ,
- 4 - 20 () ()
- ()
- () ()
- () ()
- () ()
- () ()

GAS ALARM SYSTEMS

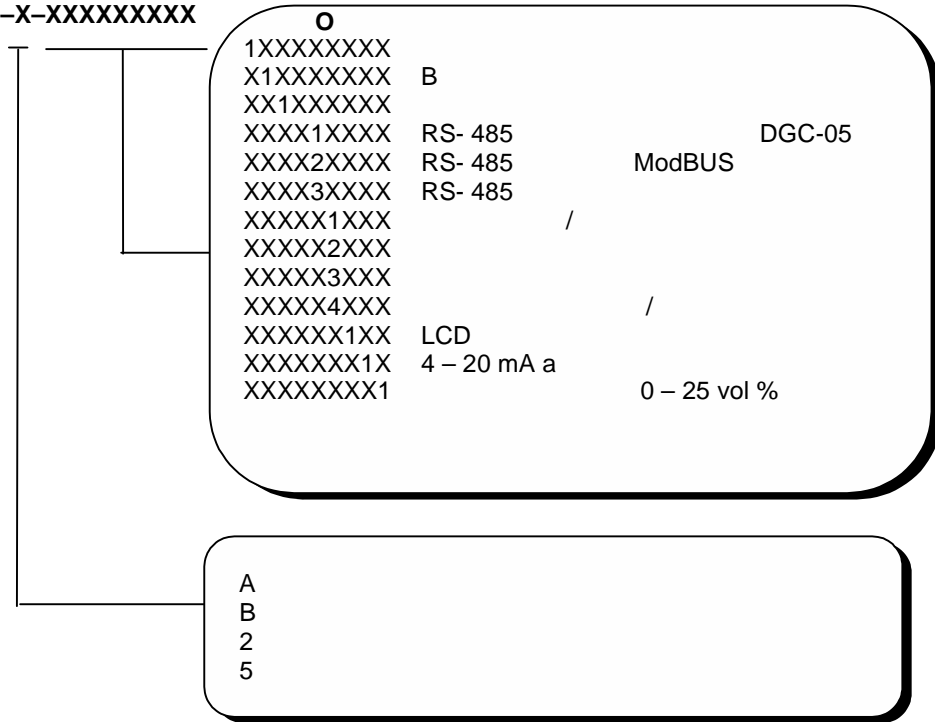
	(O ₂)
	0 – 25 vol. %
	± 0,1 vol. %
	< 4%
	t ₉₀ 15 s
	2
	- 10 °C to + 50 °C (14 °F to 122°F)
	± 10 %
	5 – 95 % RH
	0 – 99 % RH
	5 °C to 30 °C (41 °F to 86 °F)
	Max. 6
	1,5 to 1,8 m (5 – 6 ft.)
	18-28VDC/AC,
	() 22 mA, max. (0,6 VA)
A	(0) 4 – 20 mA, load 500 ,
: \	(0) 2 – 10 V, load 50 k
	0 / 20 %
	RS 485 / 19200 Baud (9600 at Mod_Bus)
	A2
	UL 94 V2
*	RAL 7032 (-)
(W x H x D)	94 x 130 x 57 mm (3.7 x 5.12 x 2.24 inch.)
	0.5 kg (1.1 lbs.)
	IP 65
	1 x M 20
	, min. 0.25 mm ² (24
	AWG) max. 2.5 mm ² (14 AWG)
	: 200 m (600 ft.)
	: 500 m (1500 ft.)
	EMC Directive 89/336/EEC EC
	1 ()

GAS ALARM SYSTEMS

		O
	1	30 VAC/DC, 0,5 A, potential-free, SPDT
	2	30 VAC/DC, 0,5 A, potential-free, SPNO/SPNC
		30 mA, (max 0,8 VA)
		85 dB (distance 300 mm) (1 ft)
		3,5 kHz
		30 mA, (max 0,8 VA)
LCD-		
LCD	2	, 16
		10 mA, (max 0,3 VA)
		3 °C ±2 °C (37.4 °F ± 3,6 °F)
		- 40 °C (- 40 °F)
		18 - 28 VDC/AC, 0,3 A; 7,5 VA
A		
	RS-485	4 – 20 mA
		, 200
		24 VDC, max. 50 mA

GAS ALARM SYSTEMS

ADT-93-1195-X-XXXXXXXXXX



O₂,
0 – 25 vol %.
: **ADT-93-1195-5-00001001**

