

PolyGard® Refrigerant Gas Transmitter ADT-D3 20XX

ADT-D3

()

()

HFC
HCFC

5

ADT-D3
(0) 4 - 20

(0) 2 - 10
RS-85

2



EN 378-3.

RS-485

ADT-D3
PolyGard MSR-E,

HCFC and HFC,



- (NDIR).
-
-
- >10
- >5
-
-
- (0) 4 - 20 / (0) 2 - 10
- RS-485
- IP65
- plug-in
- RS-485 ()
- 4 - 20 ()

GAS ALARM SYSTEMS

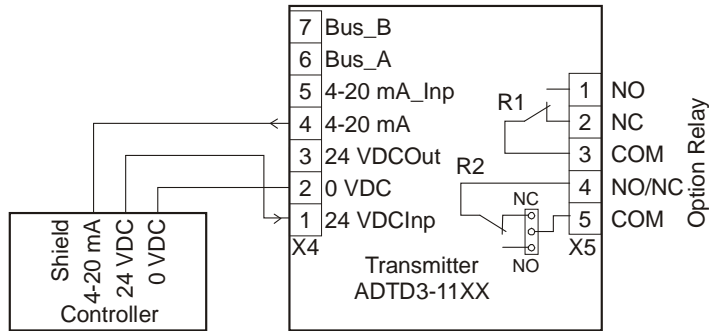
□ ()
 □ ()
 □ - ()
 □ ()
 □ () ()

	(NDIR)
	0 - 2000 ppm
	<2%
	<2%
	t ₉₀ < 30 sec.
	10 ppm
	-10 °C to + 40 °C (14 °F to 104 °F)
	<2% /
	<3% /
	800 – 1100 hPa
	5 – 95 % RH non-condensing
	> 10 years
	> 5 years
	0 °C to 50 °C (32 °F to 122 °F)
	.6
	16 - 28 VDC/AC, ()
, ()	45 mA, max. (1,1 VA)
: /	(0) 4 – 20 mA, load ≤ 500 Ω,
0 / 20 %	(0) 2 - 10 V, load 50 k Ω
	RS 485 / 19200 Baud (9600 at Mod_Bus)
A*	UL 94 V2
*	RAL 7032 (-)
(W x H x D)	94 x 130 x 57 mm (3.7 x 5.12 x 2.24 inch.)
	0.5 kg (1.1 lbs.)
	IP 65
	1 x M 20
	, min. 0.25 mm ² (24 AWG) max. 2.5 mm ² (14 AWG)
	: ca. 500 m (1500 ft)
	: ca. 200 m (600 ft.)
	EMC Directive 2004 / 108 / EEC
	CE
	1 ()



GAS ALARM SYSTEMS

	1	30 VAC/DC, 0,5 A, potential-free, SPDT	
	2	30 VAC/DC, 0,5 A, potential-free, SPNO/SPNC	
		30 mA, (max 0,8 VA)	
		85 dB (distance 300 mm) (1 ft)	
		3,5 kHz	
		30 mA, (max 0,8 VA)	
LCD			
LCD		Two lines, each 16 characters	
		10 mA, (max 0,3 VA)	
		3 °C ±2°C (37.5 °F ± 3,6 °F)	
		- 40 °C (- 40 °F)	
		0,3 A; 7,5 VA	
	RS-485	4 – 20 mA	200 Ω
		24 VDC max. charge 50 mA	



GAS ALARM SYSTEMS

ADT-D3-20XX-X-XXXXXXXXXX

1XXXXXXXXX			
X1XXXXXXXX			
XX1XXXXXXXX			
XXXX1XXXX	RS- 485		DGC-05
XXXX2XXXX	RS- 485	ModBUS	
XXXX3XXXX	RS- 485		
XXXXX1XXX			
XXXXX3XXX			
XXXXXX1XX	LCD		
XXXXXXX1X	4 – 20 mA		
XXXXXXXXX2			0 - 2000 ppm

A
B
2
5

2064	R 123
2065	R 125
2070	R 22
2077	R 134a
2078	R 404a

„PolyGard AT/DT ”

, R134a,

0 - 2000 ppm

: ADT-D3-2077-5-XXXXX1XX2