

SM4 MODULE OF LOGIC OUTPUTS

FEATURES:

MOD BUS Program LPConfig



- Remote control of actuators from monitoring systems or PLC
- 4 relay outputs or 8 OC outputs steered through RS-485/Modbus
- Fixing on a TS35 rail
- Full galvanic separation between outputs (for relay outputs)
- Configuration through the free LPConfig software.

INPUTS:

RS 485

OUTPUTS:

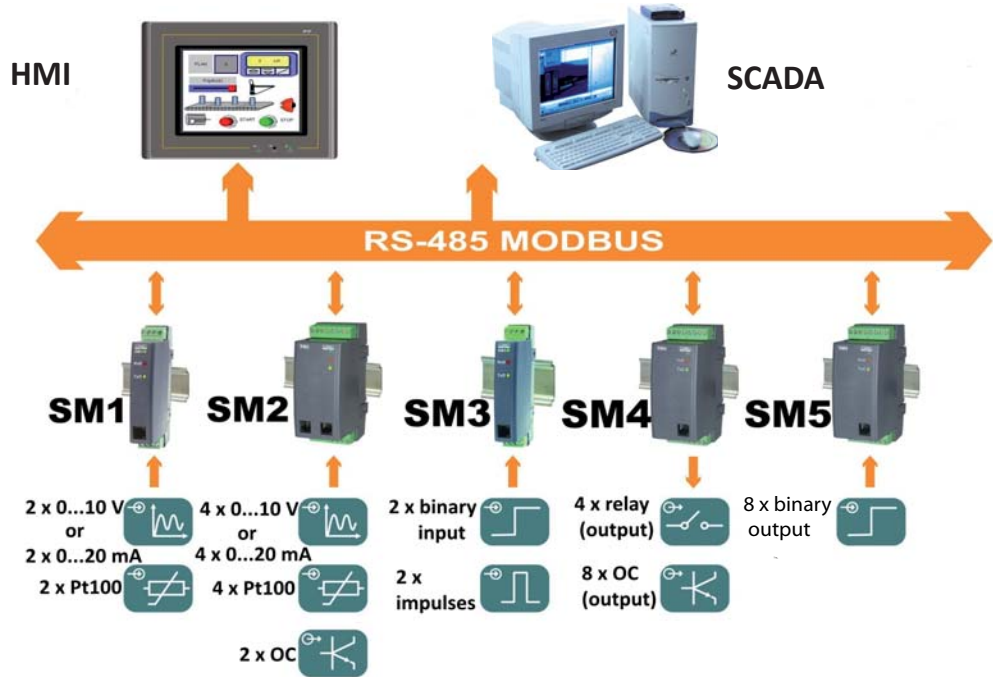
4x 8x

GALVANIC ISOLATION:

RS 485

RS 232

EXAMPLE OF APPLICATION



EXTERNAL FEATURES

Overall dimensions	45 x 120 x 100 mm	
Weight	< 0.25 kg	
Protection grade	IP40	from terminal side: IP20

DIGITAL INTERFACE

Interface type	Transmission protocol	Modes	Baud rate
RS-485	Modbus RTU	8N2,8E1,8O1,8N1	2400; 4800; 9600; 19.2 k;
	Modbus ASCII	8N1, 7E1, 7O1	38.4 k, 57.6 k, 115 k bit/s

INPUTS

Input type	Range	Remarks
Digital interface	RS-485	Modbus ASCII/RTU

OUTPUTS

Output type	Properties
Relay	5 A, 250 V a.c. 150 V d.c., 1250 VA for a.c., 150 W for d.c.
OC	0.1 A for max. 2 active simultaneously 0.05 A for all active simultaneously

RATED OPERATING CONDITIONS

Supply voltage	85...253 V a.c./d.c. (40...400 Hz) or d.c. 20...50 V a.c./d.c. (40...400 Hz) or d.c.	Input power: ≤ 4 VA
Temperature	ambient: -10...23...55°C	
Relative humidity	< 95%	
Operating position	on a TS35 rail	
External magnetic field	< 400 A/m	

Export department:
 English: +48 68 32 95 302 / 321 / 276 / 386 / 233
 German: +48 68 32 95 305
 French: +48 68 32 95 304
 Russian: +48 68 32 95 321
 Fax: +48 68 32 54 091
 e-mail: export@lumel.com.pl

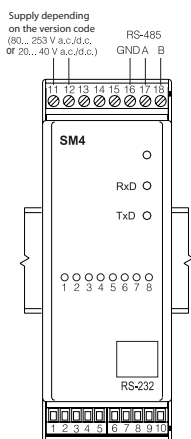
LUMEL S.A.
 ul. Sulechowska 1
 65-022 Zielona Góra
 POLAND
WWW.LUMEL.COM.PL

SAFETY AND COMPABILITY REQUIREMENTS

Electromagnetic compatibility	Noise immunity	acc. to EN 61000-6-2
	Noise emissions	acc. to EN 61000-6-4
Isolation between circuits		acc. to EN 61010-1
Pollution level	2	
Installation category	III	
Maximum phase-to-earth operating voltage	Supply: 300 V, input 50 V, Output: 50 V	
Altitude a.s.l.	2000 m	

CONNECTION DIAGRAMS

Electrical connection of the logic output module



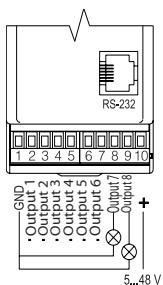
Description of logic output module leads. Version with 4 relay outputs

Terminal No	Terminal description
1	GND line
2,3	Relay output no 1
4,5	Relay output no 2
6,7	Relay output no 3
8,9	Relay output no 4
10	5 V d.c. line
11,12	Module supply lines
13...15	No used
16	GND line of RS-485 interface with optoisolation
17	Line A of RS-485 interface with optoisolation
18	Line B of RS-485 interface with optoisolation

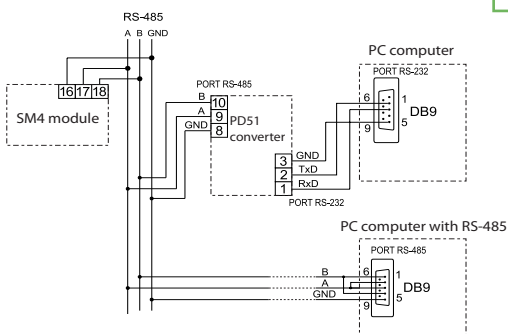
Description of logic output module leads. Version with 8 OC output types

Terminal No	Terminal description
1	GND line of logic outputs
2	Output 1 line - output no 1
3	Output 2 line - output no 2
4	Output 3 line - output no 3
5	Output 4 line - output no 4
6	Output 5 line - output no 5
7	Output 6 line - output no 6
8	Output 7 line - output no 7
9	Output 8 line - output no 8
10	+ line - supply voltage of outputs
11,12	Lines of module supply
13...15	Not used
16	Mass of RS-485 interface with optoisolation
17	Line A of RS-485 interface with optoisolation
18	Line B of RS-485 interface with optoisolation

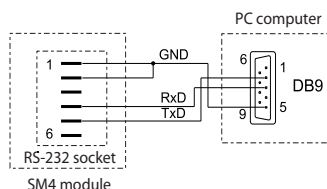
Exemplary connection of the logic outputs



Connection of RS-485 and RS-232 interfaces



Connection of RS-232 interface



SEE ALSO:



Free LPConfig software



MT058 panel



SMC - Programmable controller



For more information about LUMEL's products please visit our website: www.lumel.com.pl

ORDERING

Module of logic outputs - SM4	X	X	XX	X
Supply:				
85...253 V a.c./d.c.	1			
20...50 V a.c./d.c.	2			
Kind of outputs:				
8 outputs of OC type		1		
4 relay outputs		2		
Version:				
standard			00	
Acceptance tests:				
without additional quality inspection requirements		8		
with an extra quality inspection certificate		7		
acc.to customers request *		X		

Ordering example:

The code **SM4 - 1 2 00 7** means:

- SM4** - module of SM4 type
- 1** - supply voltage: 85...253 V a.c./d.c.
- 2** - 4 output relays
- 00** - standard version
- 7** - with an extra quality inspection certificate

* after agreeing with the manufacturer

Export department:
English: +48 68 32 95 302 / 321 / 276 / 386 / 233
German: +48 68 32 95 305
French: +48 68 32 95 304
Russian: +48 68 32 95 321
Fax: +48 68 32 54 091
e-mail: export@lumel.com.pl
 LUMEL S.A.
 ul. Sulechowska 1
 65-022 Zielona Góra
 POLAND
WWW.LUMEL.COM.PL