

RP7 SINGLE-PHASE POWER CONTROLLER

FEATURES:

- Phase control
- Soft Start
- I_{LIM}
- α_{LIM}

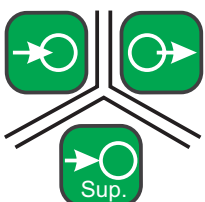
INPUT:

-
- 0..10 V
- 0..20 mA

OUTPUTS:

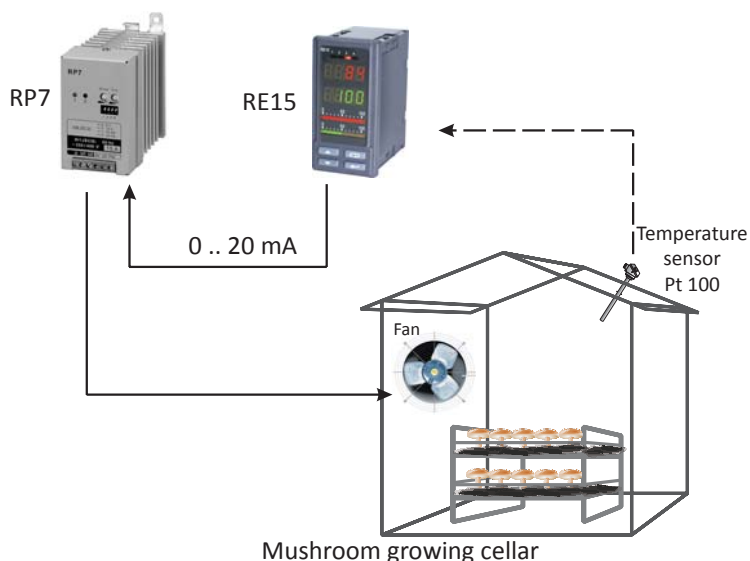
- 5 A
- 10 A
- 15 A

GALVANIC ISOLATION:



- Contactless power switching on.
- For power control of resistive and resistive-inductive energy receivers, and rotational speed control of single-phase motors with a capacitor or commutator motors at small loads.
- Output current: 5, 10 or 15 A.
- Trigger deceleration of "softstart" type.
- Signaling of fuse damages.
- Control of the initial trigger angle value.
- Receiver current limitation and limitation of the receiver current and release angle.
- Control by a continuous or potentiometric signal.
- Phase control.

EXAMPLE OF APPLICATION



Ventilation of production halls.

INPUTS

Input type	Range	Remarks
potentiometric	0 .. 10 kΩ	
continuous	0 .. 5 V	input resistance: 3 kΩ
continuous	0 .. 10 V	input resistance: 6 kΩ
continuous	0 .. 20 mA	input resistance: 250 Ω
continuous	4 .. 20 mA	input resistance: 250 Ω

OUTPUTS

Output type	Properties
triac	5, 10, 15 A; 195 .. 230 .. 253 V

EXTERNAL FEATURES

Overall dimensions	50 x 105 x 105 mm
Weight	0.55 kg
Protection grade	IP20

RATED OPERATING CONDITIONS

Temperature	ambient: 5 .. 20 .. 50°C	storage: -20 .. 80°C
Operating position	vertical	
External magnetic field	< 400 A/m	

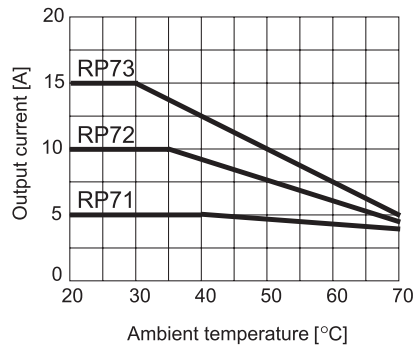
SAFETY AND COMPATIBILITY REQUIREMENTS

Electromagnetic compatibility	noise immunity	acc. to EN 60947-4-3
	noise emissions	acc. to EN 60947-4-3
Pollution level	2	
Installation category	III	
Maximal phase-to-earth operating voltage	320 V for power circuits and supply, 50 V for other circuits	for input circuits: 50 V

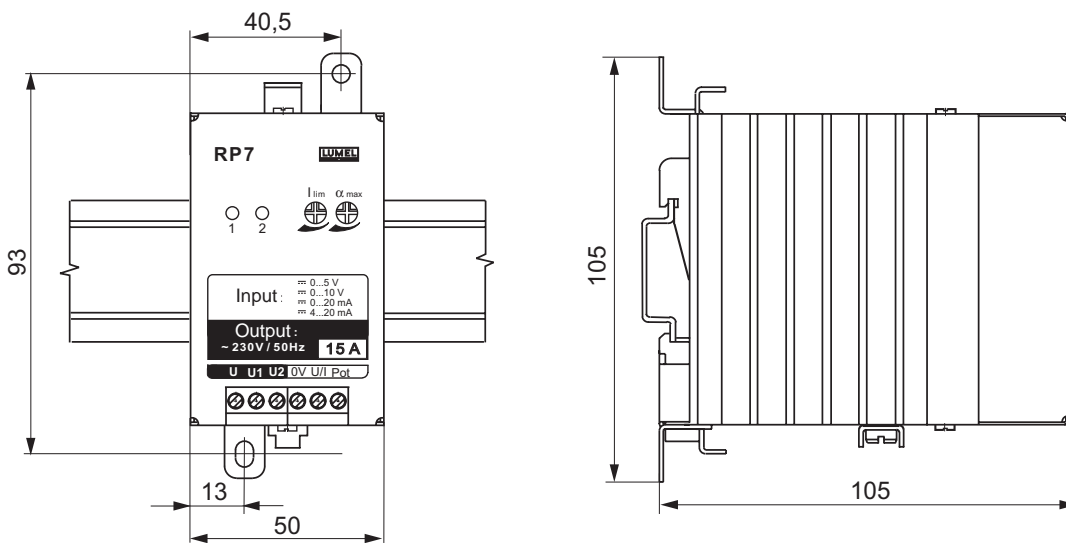
Export department:
 English: +48 68 32 95 302 / 321 / 276 / 386 / 233
 German: +48 68 32 95 305
 French: +48 68 32 95 304
 Russian: +48 68 32 95 321
 Fax: +48 68 32 54 091
 e-mail: export@lumel.com.pl

LUMEL S.A.
 ul. Sulechowska 1
 65-022 Zielona Góra
 POLAND
 WWW.LUMEL.COM.PL

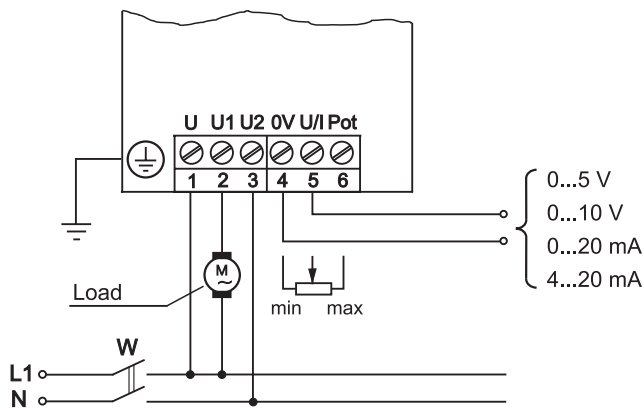
LOAD CAPACITY



OVERALL AND MOUNTING DIMENSIONS



CONNECTION DIAGRAM



ORDERING

	RP7 -	X	X
Maximal output current:			
5 A		1	
10 A		2	
15 A		3	
Acceptance tests:			
without additional quality inspection requirements		8	
with an extra quality inspection certificate		7	
other requirements *		X	

* After agreeing with the manufacturer

ORDER EXAMPLE:

The cod: **RP7 - 2 - 8** means:

- RP7** - power controller of RP7 type,
- 2** - maximal output current: 10 A,
- 0** - without additional quality inspection requirements.

SEE ALSO:



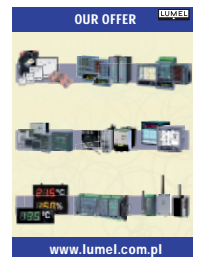
Temperature sensors.



Controllers.



Power controller of RP series.



For more information about LUMEL's products please visit our website: www.lumel.com.pl

Export department:
English: +48 68 32 95 302 / 321 / 276 / 386 / 233
German: +48 68 32 95 305
French: +48 68 32 95 304
Russian: +48 68 32 95 321
Fax: +48 68 32 54 091
e-mail: export@lumel.com.pl

LUMEL S.A.
 ul. Sulechowska 1
 65-022 Zielona Góra
 POLAND
WWW.LUMEL.COM.PL