

# Energom-AMR-S ARC FLASH PROTECTION RELAY

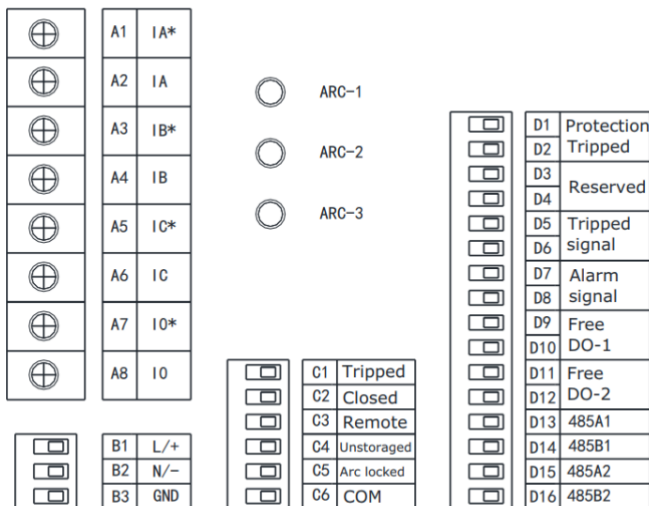
## SWITCHGERA PROTECTION RELAY



### Introduction

Energom-AMR-S Arc flash protection relay is a cost-effective solution for minimizing arc-flash damage in low-voltage (LV) or medium-voltage (MV) feeder circuits, commonly recognized as a feeder protection relay. Outfitted with 3 arc sensors, can actively monitors arc faults occurring in cable connections and busbars within the cabinet. Energom-AMR-S features a comprehensive range of functions, including three-stage phase-to-phase overcurrent protection, overload protection, zero-sequence overcurrent protection, arc flash protection, and high-temperature & over-temperature protection.

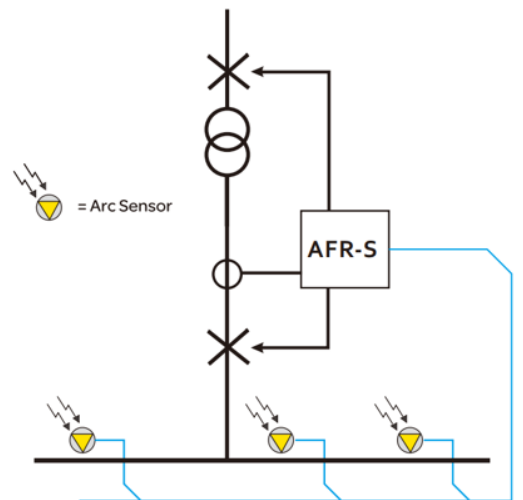
### Terminal Definition



### Main Features

- Programmable CB protects trip logic.
- Panel mounting design, HD LCD display.
- multiple passive DI points, indicate CB status.
- Can customized VCB control and protection logic.
- 3-phases current and earth-fault current measurement.
- Less than 10 ms operation time (including output relay).
- Multiple trip contacts, free to configure NC / NO status.
- Optional extra monitor functions by RS-485 connection.

### Wiring Method



Energom-AMR-S Single switchgear protection