

DC Circuit Metering

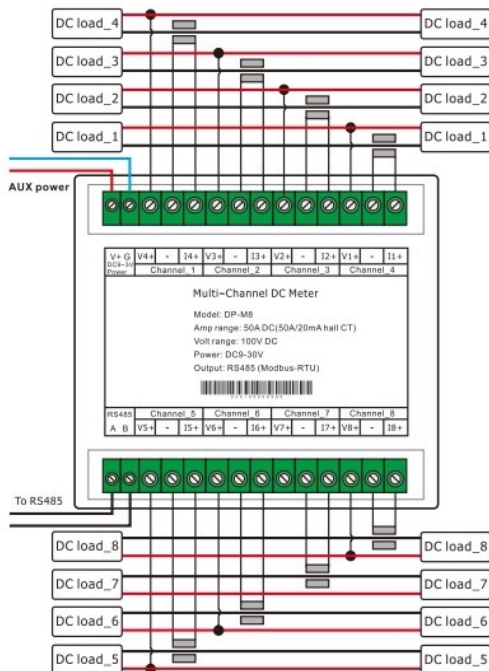
Energom-DP-M8 8 channels isolated DC Monitor

Description

DP-M8 meter is an advanced solution for multi-channel metering in DC system. It provides 8 channels, full isolated for collect voltage, current, power data and energy generate & consumption data.

With RS485 communication interface, DP-M8 can be connected to the monitoring center or on-site host. It is a high-performance automatic metering device suitable for solar plant and Telecom server room, BMS application in UPS system etc.

Typical wiring



External CT access



Technical characteristics

| | |
|--|--|
| Power supply: | |
| Power Supply | 9~30VDC or 9~57VDC |
| Consumption | < 4 VA |
| Measurement: | |
| Current signal | 1mA, 20mA, 100mA, 1A, 5A, 10ADC over 10A use external CT or Hall CT |
| Voltage signal (Optional) | 75mV, 1V, 5V, 10V, 50V, 100V, 250V, 400V (Default 100V) |
| Frequency response | 0-1000Hz |
| Sampling ratio | 20ms~1000ms adjustment, (default 100ms) |
| Load Resistance | Current: <0.15V / channel Voltage: >2Kohm/V |
| Precision | 0.2% F.S |
| Isolation: | |
| Insulation Resistor | > 100MΩ |
| AC 2.5kV / 1min between AUX to current signal / DI / RS485 | |
| AC 1.5kV / 1min between current signal to DI / RS485 | |
| AC 2.5kV / 1min between voltage to AUX / DI / RS485 | |
| Communication port | |
| Digital Link | RS485 MODBUS-RTU |
| Other: | |
| Ambient Temp. / Humi. | -20 ~ 70 C / ≅ 93% RH |
| Dimensions | 120*110.5*50mm (L * H * D) |