

Description

DFPM951X Series is a DIN Rail Relay Control Energy Meter can accurately and directly measure energy consumption and billing. The meters has Relay function, support to control the switch on/off remotely. It can Max. support 80A direct input. With Modbus-RTU protocol and RS485 port, the meter also support connect into 3rd party system.

Feature

- Suit for 120V, 220V, 230V, 240V AC Power System
- 7+1 digits LCD display (9999999.9kWh)
- High accuracy: Class 0.5s for 5A via CT, Class 1.0 for 80A direct input
- 3 keys for programming, 35mm DIN Rail installation, standard DIN ED5002
- 1 LED indicates pulses output, standard DIN 43864
- Support reading and inquiry data when power off
- Standard: IEC62053-21/22

Function

- **Measure** -- U, I, P, Q, S, PF, F, kWh, kvarh, multi-tariff energy (kWh, kvarh)
- **Relay Control** -- for remote control circuit switch on/off
- **TOU (Multi-tariff)** -- 4 tariffs and 8 time periods in 24 hours
- **Historical Record** -- kWh, kvarh, Max. P for last 31 days (Per 15min.) and last 12 months data; last 200 alarms and last 20 times power off
- **Alarm** -- anti-temper alarm, over-load alarm, swich on/off alarm, over-voltage alarm, under-voltage alarm, reversed connection alarm etc.
- **Communication** -- one RS485 port, MODBUS-RTU Protocol



DFPM9511
Single Phase



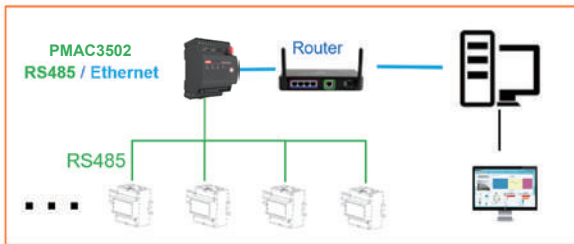
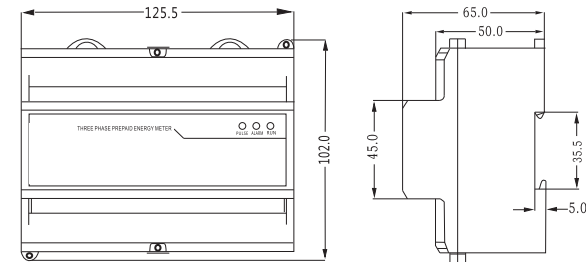
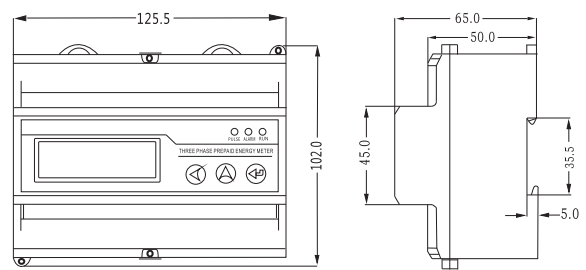
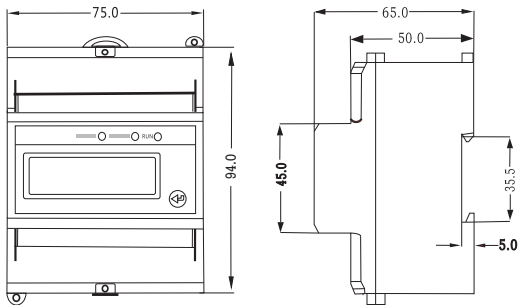
Three Phase

Technical Specification

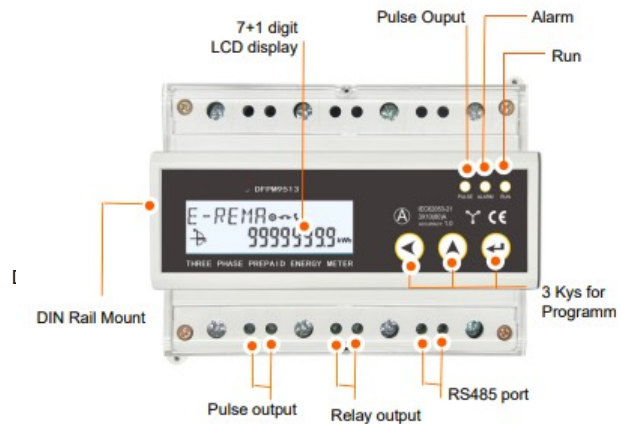
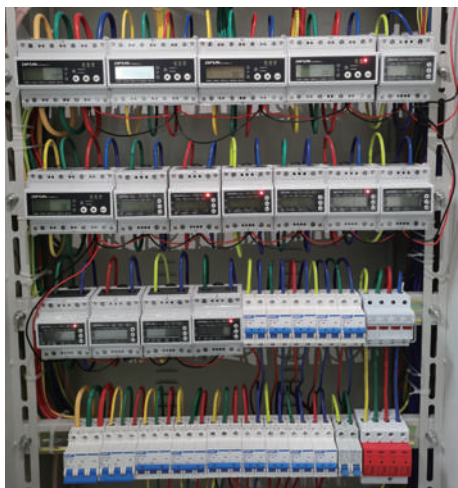
Accuracy	Class 0.5s: 5 (6) A Class 1.0: 10 (80)A	Starting Current	0.4% Ib
Current	DFPM9511: Direct: 10 (80) A DFPM9513: Direct: 10(80)A, 5(6)A via CT	Communication	RS485 port, MODBUS-RTU Baud rate: 2400、4800、9600 Address: 1~247
Rated Voltage	DFPM9511: 220V, 120V, 240V (Optional) DFPM9513: 220/380V, 120/208V, 240V/415V (Optional)	Insulation	Withstand voltage: 2kV, Impulse voltage:6kV
Power Supply	Self Supply (Note: for DFPM9513, RS485 won't work if only connect 1 phase voltage) Overload: 1.2 times	Historical Record	- kWh, kvarh, Max. P for last 31 days (Per 15min.) and last 12 months data - Last 200 alarms records - Last 20 times power off
Relay Control	Support control circuit switch on/off build-in relay module for DFPM9511/DFPM9513 direct module 10(80)A need to add DFPM9513-R relay module for DFPM9513 5(6)A via CT	EMC Standard	Electrostatic discharge immunity test IEC 61000-4-2,Level 4 Radiated immunity test IEC 61000-4-3,Level 3 Electrical fast transient/burst immunity test IEC 61000-4-4,Level 4 Surge immunity test (1, 2/50μs~8/20μs) IEC 61000-4-5,Level 4 Conducted emission EN55022, Class B Radiated emission EN55022, Class B
Pulse Output	1 Channel (Settable for kWh or kvarh) constant: 1600imp/kWh/kvarh	Environment	Operating temperature: -20℃~ +55℃ Storage temperature: -40℃~ +70℃ Humidity: 5%~95% non-condensing
Frequency	50/60Hz		
Power Consumption	<2W/10VA each phase		
Wire Diameters	7mm*7mm (16mm ²)		

Dimension & Installation

Unit: mm



Relay Control for DFPM9513 5(6)A via CT



Order Information

DFPM9511 (Single Phase)

① -- ② -- ③

80	10(80)A direct
V1	220V, Suit for 220, 230Vac ph-N
V2	120V, Suit for 110, 120Vac ph-N
V3	240V
50	50Hz
60	60Hz

DFPM9513 (Three Phase)

① -- ② -- ③

A-80	10(80)A direct
D-5	5(6) for external CT
V1	220/ 380V, Suit for 220, 230Vac ph-N
V2	120/ 208V, Suit for 110, 120Vac ph-N
V3	240/415V
50	50Hz
60	60Hz

DFPM9513 --R (Relay Control module) for DFPM9513-D

Note:

- DFPM9511 has built-in relay module
- DFPM9513-A 80A direct input model need to add DFPM9513-R relay module to realize remote control switch
- DFPM9513-D 5A via CT module need to add AC contactor and relay switch to realize remote control switch