

## EYDK322-F Temperature Transmitter

### Description:

Pt100 temperature transmitter is generated by the sensor resistance effect at temperature, to produce a differential voltage signal converted by the dedicated processing unit, this signal via a dedicated amplifier, the range corresponding to the signal into a standard analog or digital signals.

### Technical indicators:

Measuring media: liquid, gas

Measuring range: -50-300 °C

Power supply range: 9 ~ 36VDC

Output signal: 4 ~ 20mA, 0-5VDC, 0-10VDC, RS485

Probe material: stainless steel 304

Accuracy class:  $\pm 0.5$  °C

Ambient temperature: -40 ~ 85 °C

Stability:  $\pm 0.1\%$  FS / Year

Protection: IP65

Pressure Level: 10MPa (above can be customized)

Maximum power: current type  $\leq 0.02U_s$  (W) voltage- $\leq 0.008U_s$  (W) numeric  $\leq 0.015U_s$  (W) Note:  $U_s$  = supply voltage

Load characteristics: current-load  $\leq \{(U_s-7) \div 0.02$  ( $U_s$  = supply voltage)}  $\Omega$   
Voltage type load  $\geq 100k\Omega$

### Application:

Wide voltage power supply, non-linear correction, high accuracy

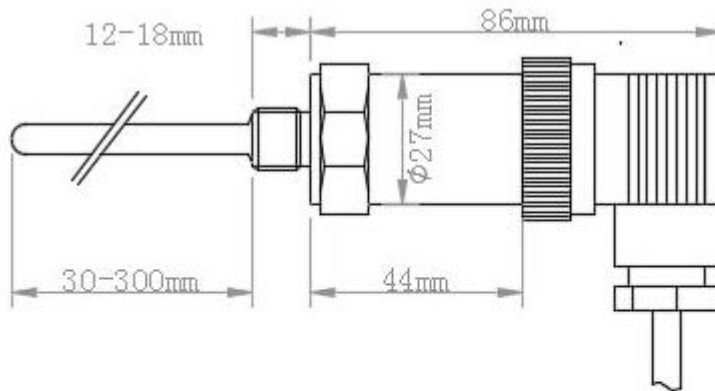
Small size, light weight, easy to install

Lightning, cutoff frequency interference design, anti-interference ability

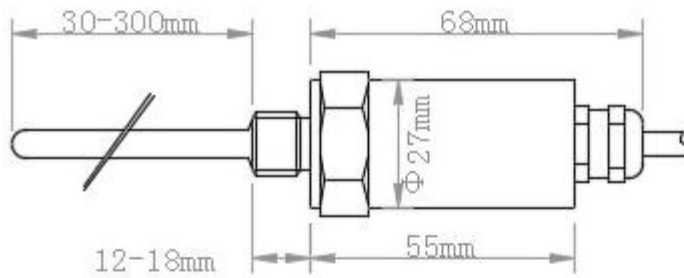
Wiring reverse and overvoltage protection, current limiting protection

Suitable for indoor plumbing or cavities within the body temperature measurement, non-hazardous general scene.

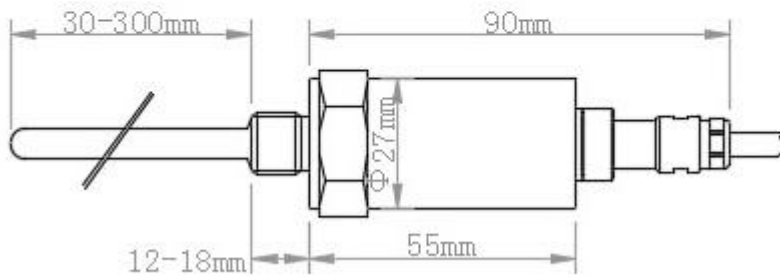
### Product Dimensions&Wiring:



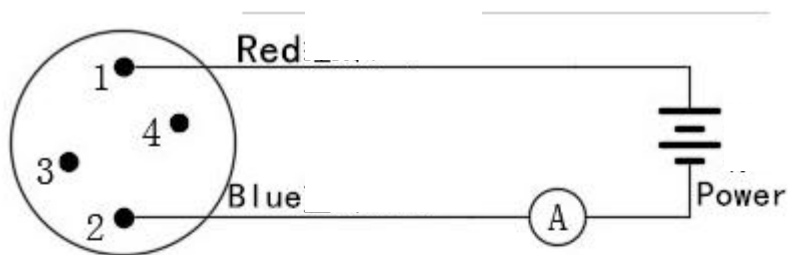
Hochman



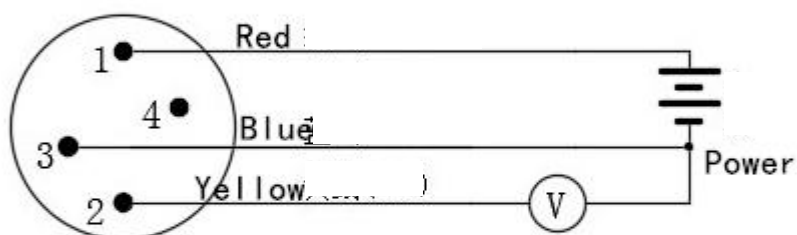
Directly wiring



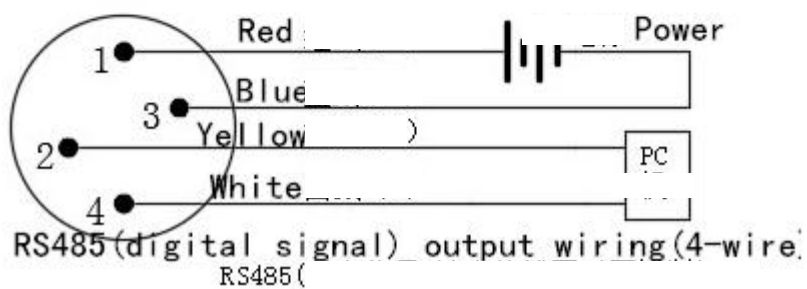
Aviation plug



Current output wiring (2-wire)



Voltage output wiring (3-wire)



### Picture details



