

Digital pressure gauge EYK-100B

Description:

EYK-100B digital pressure gauge imported sensor, superior performance, high accuracy, corrosion resistance, impact resistance, anti-vibration, high stability, etc.; signal processing circuitry using the latest ultra-low-power processors, signal processing and power management chip chips, using a large capacity, high performance lithium battery-powered, no external power supply. 5 percentage using the digital display and analog display, intuitive readings, the product precision can reach 0.05 for ordinary pressure gauge, precision pressure gauge and pressure transmitter calibration and test, instead of the more traditional mechanical pointer pressure table-site measuring pressure.



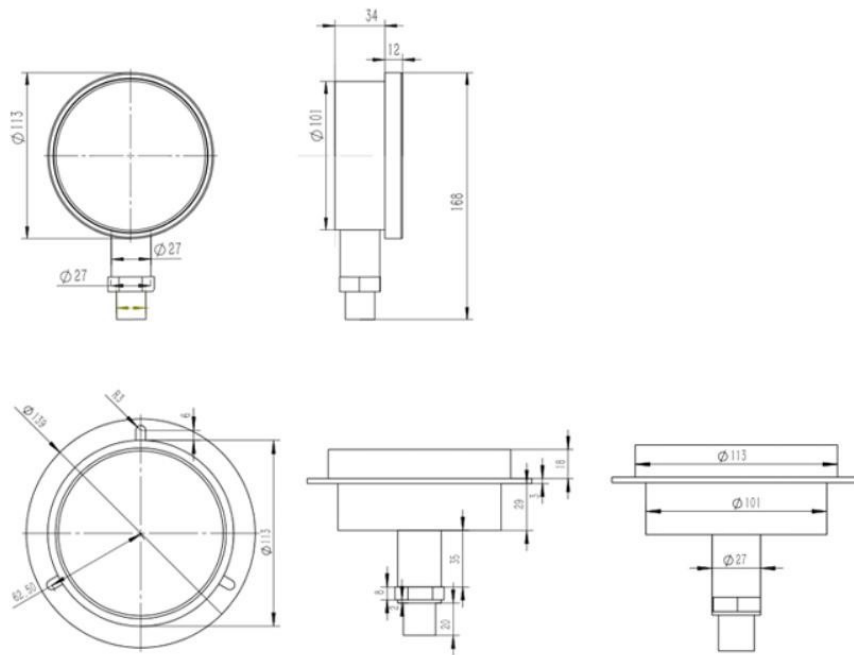
Features:

1. Micro-power, high accuracy, high-definition digital LCD 5;
2. Small size, simple operation, easy field calibration pressure gauges and precision pressure measurement using;
3. Intelligent calibration, linear repair, two seconds and zero magnetic induction pen LCD display with dynamic pressure, visual display percentages pressure
4. Pressure unit: mmH₂O mmHg psi kPa MPa Pa mbar bar pressure up to ten units (optional)
5. Dynamic pressure measurement can be displayed online curve, the peak record function (optional);
6. The digital pressure gauge can equipped with the 485 RTU protocol, and the host computer software can monitor the transmission data in real time.

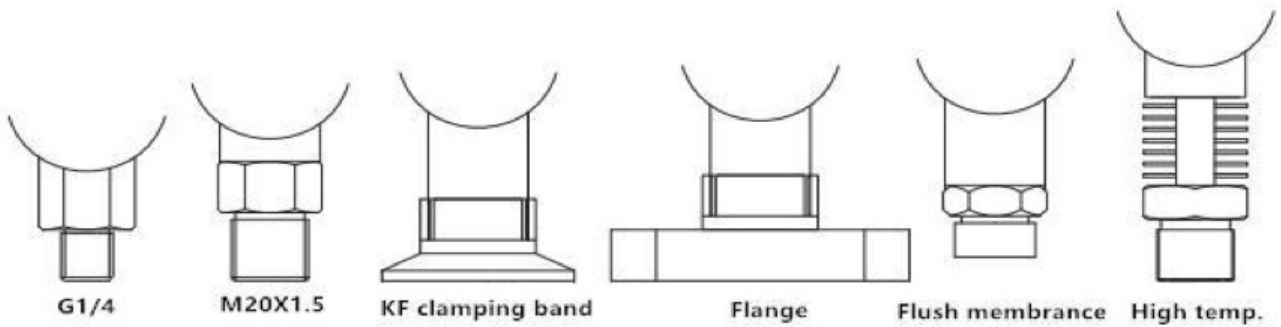
Specification:

Scale Range	-0.1~0~250MPa	Accuracy	0.1%, 0.05%,
Overload capacity	200%	Pressure Type	Vacuum, Gauge, Absolute Pressure
Stability	≤0.1%/year	Battery voltage	Chargable high energy 3.7v lithium battery
Display	LCD, 5characters	Display range	-19999~99999
Ambient temperature	-20°C~70°C	Relative humidity	≤80%
Connection size	M20x1.5 Male or oem	Pressure unit	MPa、Kpa、PSI、mmHg、Bar、kgf/cm ² 、inHg inH ₂ O
Case material	SS	Medium temp	-10~80°C

Dimension drawing



Common interface drawing



Ordering guide

EYK-100B	Digital Pressure Gauge			
	Code	Measuring range		
		-0.1~0MPa, 0.6MPa, 1MPa, 1.6MPa, 2.5MPa, 4MPa, 6MPa, 10MPa, 16MPa, 25MPa, 40MPa...250Mpa		
	Code	Process connection		
	M1	M20*1.5 Male thread	M4	NPT3/8 Male thread
	M2	G1/4 Male thread	M5	NPT1/4
	M3	G1/2 Male thread	M6	Customized
			Code	Accuracy
			2	±0.1%FS
			3	±0.05%FS
			4	Customized