

EYD-34 series

Pressure Transmitters



Description

EYD34series of flat-film pressure transmitters directly sense the pressure signal by welding the diaphragm to the front end of the process interface, using the diffused silicon chip as the sensitive element, and the special digital circuit, after signal amplification, linear compensation, anti-interference, and anti-surge protection It is a flat-membrane pressure measurement product that outputs industry standard signals such as signal processing.

Features

- Anti-interference and anti-surge protection
- 4~20mA is convenient for remote transmission
- Piezoresistive pressure sensor design
- Using 316L isolation diaphragm and stainless steel housing design
- Excellent anti-jamming capability
- Overvoltage overcurrent protection, reverse polarity protection

Application

- Process control systems
- General industrial applications
- Food and beverage industry
- Filling and packing machinery
- Dosing technology
- Level measurement
- Occasion where it is easy to block the pressure inlet

Specifications

Technical indicators:	
Media:	Oil, water, gas and compatible with 316L stainless steel
Pressure:	-0.1MPa ~ 0 ~ 10MPa
Overload:	2 times (10MPa or less); 1.5 times (10MPa or more)
Accuracy:	$\pm 0.1\% \text{ FS}, \pm 0.2\% \text{ FS}, \pm 0.5\% \text{ FS}, \pm 1\% \text{ FS}$
Nonlinear:	$< \pm 0.2\% \text{ FS}$
Hysteresis and repeatability:	$\leq \pm 0.1\% \text{ FS}$
Long-term stability:	$\leq \pm 0.1\% \text{ FS / year}$
Zero drift:	$\leq \pm 0.02\% \text{ FS / } ^\circ\text{C}$
Response time:	$\leq 500\text{ms}$ (standard)

Electrical parameters:

Output:	Current 2-wire: 4 ~ 20mA Voltage 3-wire : 0 ~ 5V; 0 ~ 10V; 1 ~ 5V; 1 ~ 10V Option:RS 485 ,hart
Supply voltage:	DC24V (12 ~ 32VDC, less may contact)
Load capacity:	current output: $\leq 500\Omega$
Voltage output:	$\leq 250\Omega$ output impedance
Electrical connection:	Standard for Hersman, optional direct outlet or M20 PIN Aviation

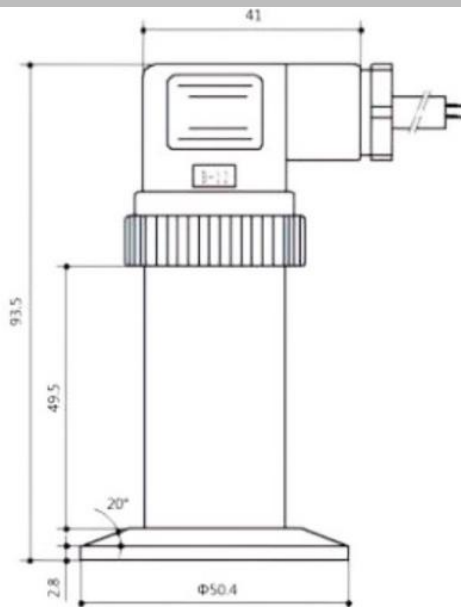
Materials:

Wetted parts:	316L stainless steel
Shell:	304
Seals:	Viton, optional: EPDM, NBR
Diaphragm:	316L stainless steel

Other specifications:

Process connection:	50.5mm clamp
Material:	316L stainless steel wetted materials; Shell: 304
Protection class:	IP 65
Medium temperature:	-30 ~ 80 °C
Ambient temperature:	-40 ~ 80 °C
Storage temperature:	-40 ~ 100 °C
Earthquake:	108 RMS (25 ~ 2000HZ)
Current Limit:	The maximum current-24mA; voltage-largest 5mA
Certification:	CE

Dimensions



Product model							
Model	EYD-34						
	Range	K:0...X kPa; P: PSI; K: kPa,; B: bar; M:MPa; m: mH2O					
	Precision	1: 0.25%FS 2: 0.5%FS; 3: 0.1					
	Output	A: 4-20mA V1: 0.5-4.5V; V2: 0-5V; V3: 1-5V; V4: 0-10V; ; S0: Other					
	Power	P1: 9-32VDC; P2:5VDC ; P3: 12-32VDC; P4: 3VDC; P0: others					
	Interface	50.5mm clamp					
					Connection	W1:Hirschman W2:Directly wire W3:M12 plug	
EYD-34	100P	1	A	P1	G1	W1	Vendor Code

Selection tips:

1. The tested medium should be compatible with the materials in contact with the product.
2. For other special requirements, please consult us and indicate what you need in the orders.