

TTC-KR Three-phase Rogowski coil transducer (5Aac) is based on the industrial demand and design a with high precision, high safety, low power consumption of the transmitter. The power meter can be in a variety of specifications, the instrument is connected.



Electrical data (Ta=25°C±5°C)

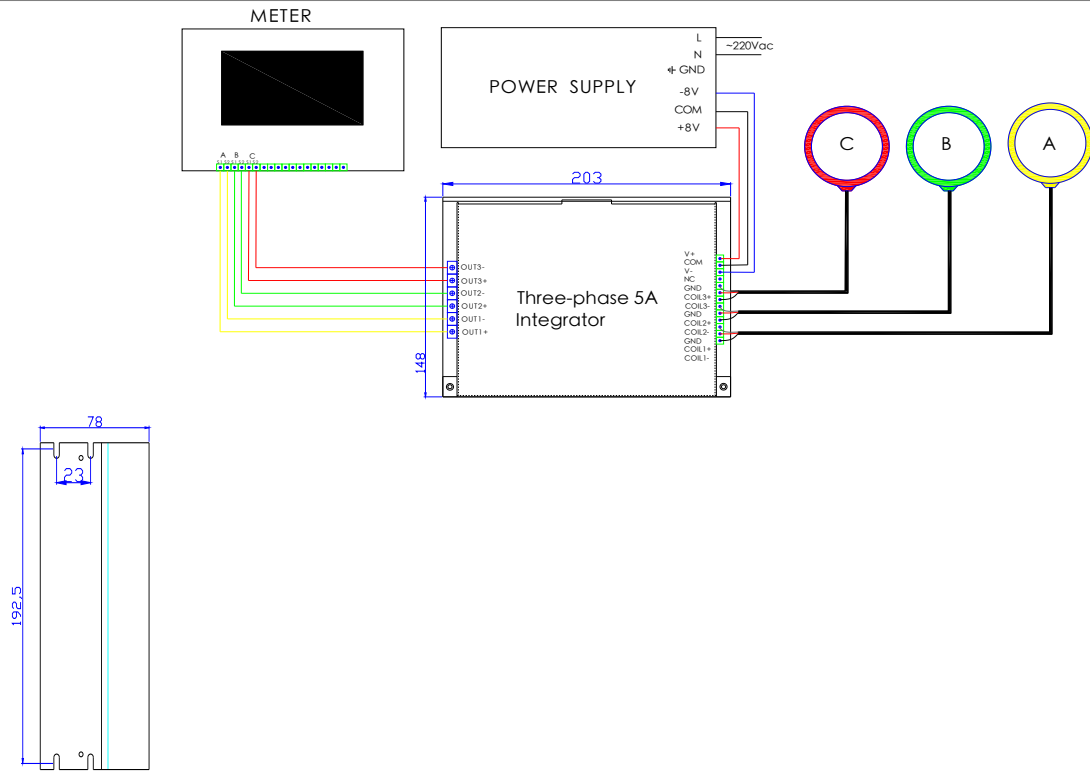
(AC) Current range(AC)	100-10K	A
Measure range	5% - 120%	%
Power frequency	45-65	Hz
Rated output	5A	Aac
Load	< 0.1	Ω
Supply voltage	±8 - ±12VDC/≥50W	V
Power Consumption	< 300	mA
Offset drift	@ -25~+70°C ≤±1	mV/°C
Accuracy	≤1	%
Linearity	≤1	%FS
Response time	≤20	ms
Galvanic isolation	AC, 1min 10	KV
Isolation resistance	@ DC 500V 1000	MΩ
Operating temperature	-25 to +50	°C
Storage temperature	-40 to +70	°C

Applications

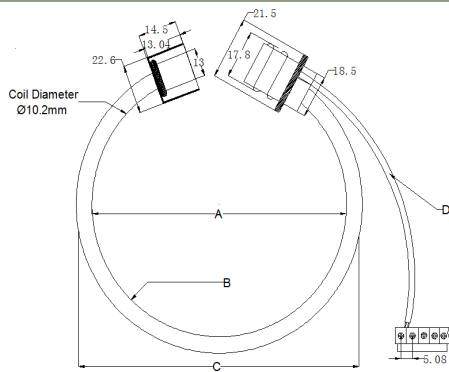
- power system
- Industrial control system
- Battery supplied applications

Rsxxxx三相罗氏线圈变送器 Rsxxxx Three-phase Rogowski coil transducer

结构参数 Mechanical dimension(for reference only)



线圈尺寸图 Coil size diagram



A(mm)	B(mm)	C(mm)	D(m)
≤600	10.5	A + 2*B	≤50
可定制 Custom made	10.5	可定制 Custom made	可定制 Custom made

典型线性图 Typical linear graph(for reference only)

Three-phase Rogowski coil transducer

