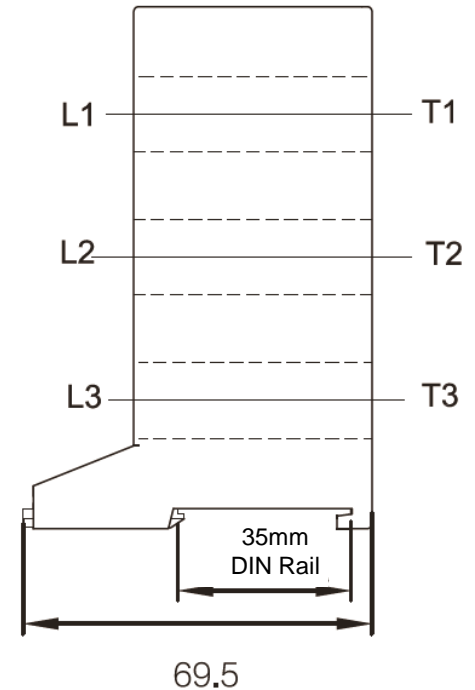
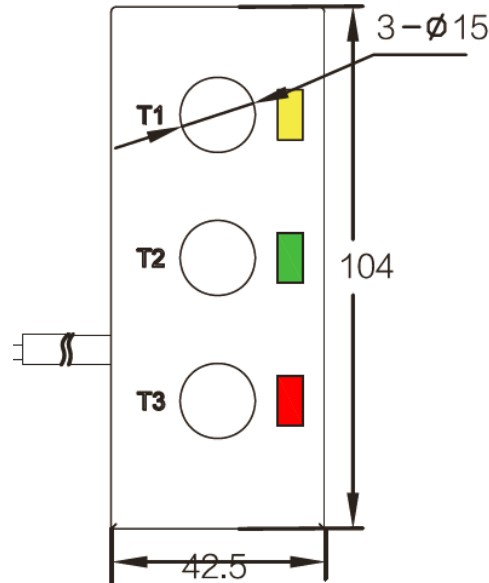


PMAC801 CT Dimension

CT for 2A, 6.3A, 25A, 100A

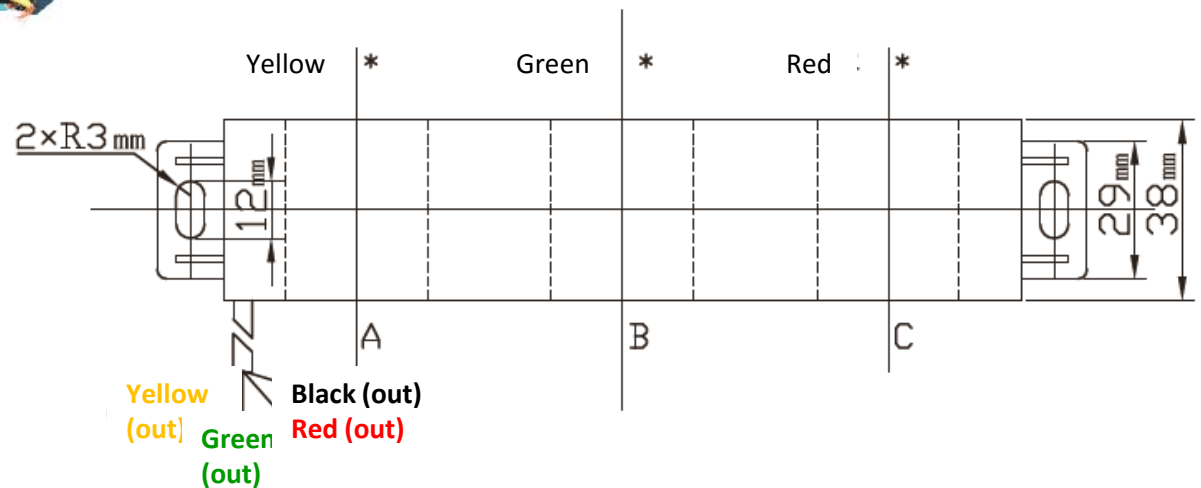
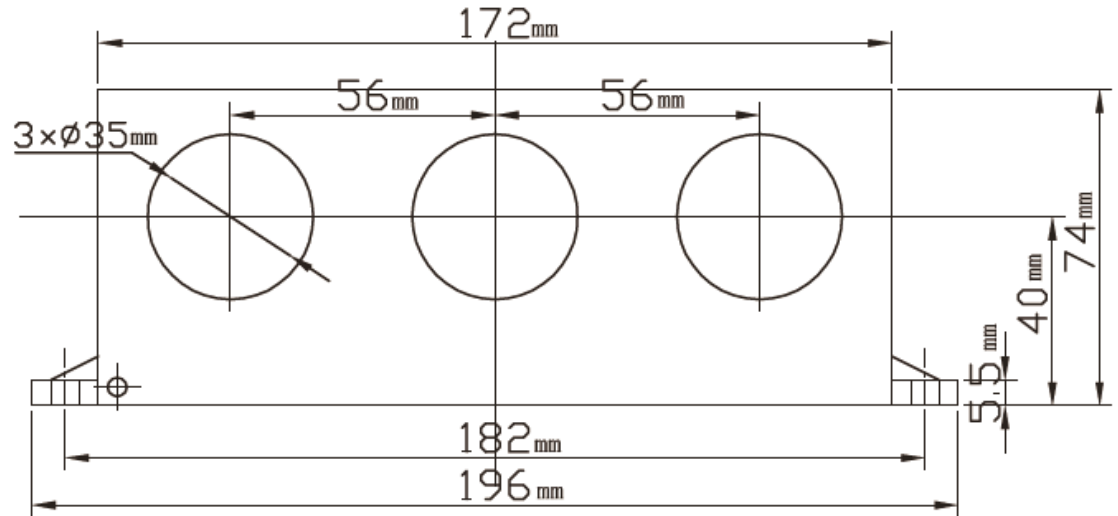
Unit: mm



Secondary side **yellow line**, **green line**, **red line**, black line indicate A, B, C, N (common terminal), common terminal can not connect to earth

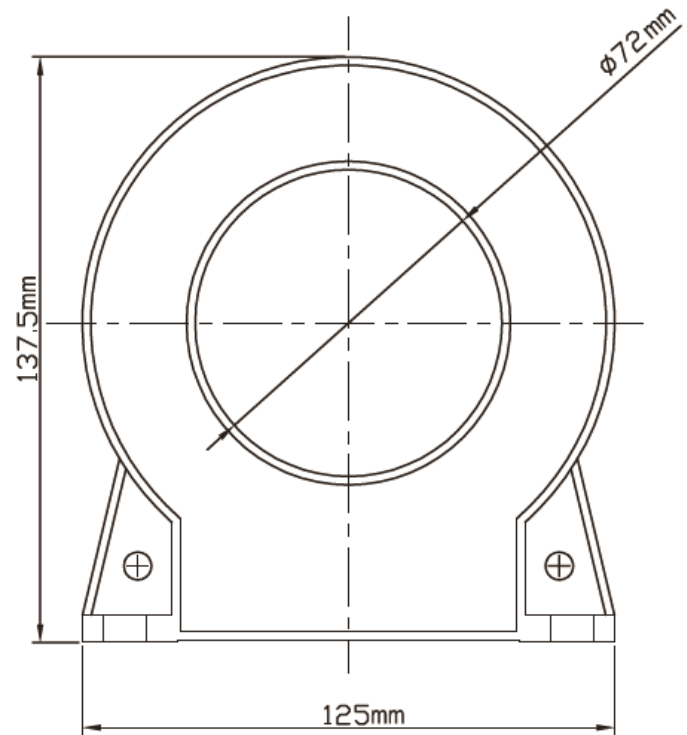
CT for 250A

Unit: mm



Secondary side **yellow line**, **green line**, **red line**, black line indicate A, B, C, N (common terminal), common terminal can not connect to earth

CT for 500A, 820A



Brown line connect to main module current terminal, **blue line** connect to common terminal, common terminal can not connect to earth

