

Feature

- **ZigBee: IEEE802.15.4, 2.4GHZ**
- **LoRa: LongRange, 470MHZ ~ 510MHZ**
- **One SPM21 Max. Connect 12 Smart Device**
- **Data Transparent Transmission**
Wireless directly convert to RS485 port
- **Support Multi-node Auto-network**
Auto-connect to networking, fast remote configure
- **ZigBee Device With Router Mode**
Enlarge the communication distance for ZigBee
- **LoRa For Build Long Distance Private Network**
Zero configuration, Max 2.5km communication

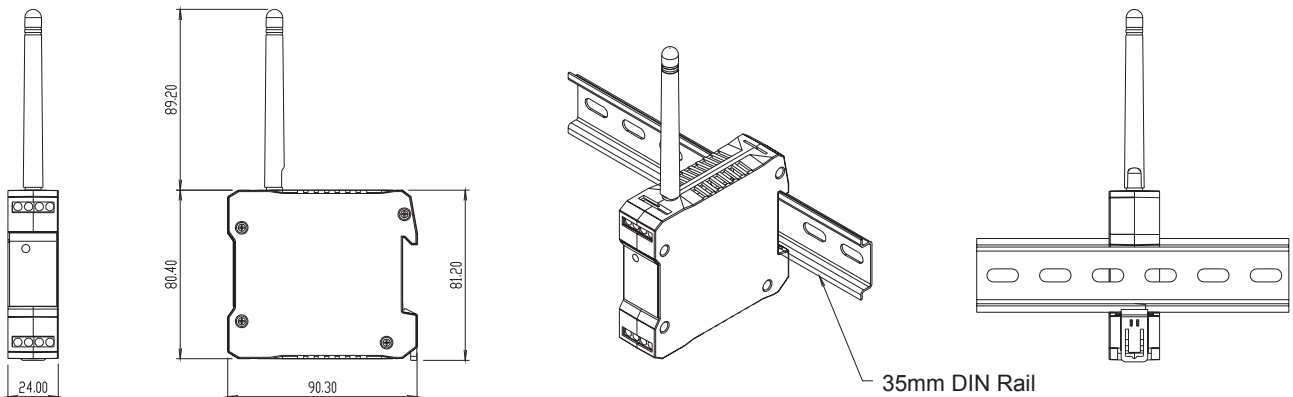


Technical Specification

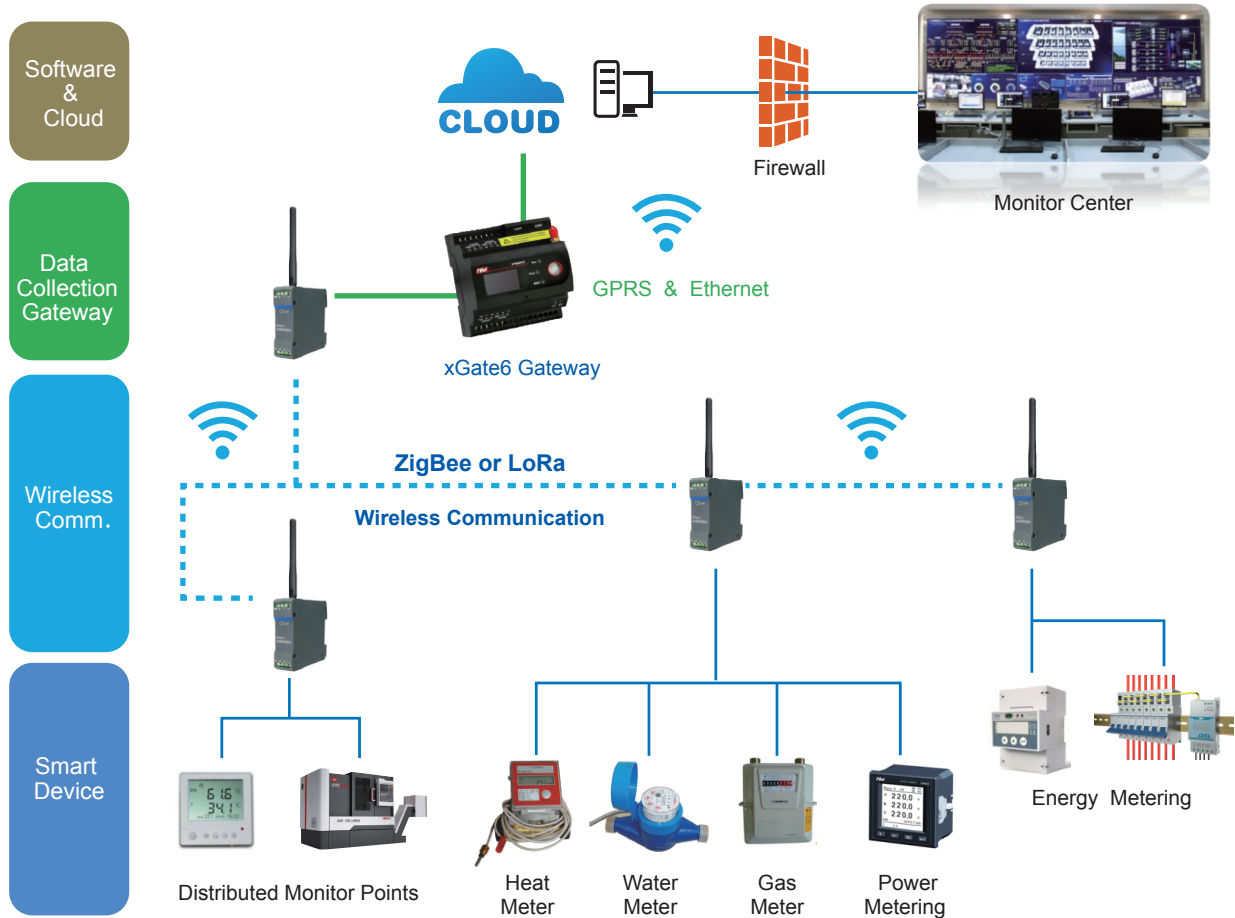
Power Supply	AC 220V, 50Hz/60Hz	Communication Frequency Band	ZigBee: 2.4GHZ(SPM21-Z, SPM21-ZP) LoRa: 470MHZ(SPM21-L)
Average No Failure Time	<50000h	Communication Port	1 x RS485
Design Life	5 years	Communication Distance	ZigBee: 100m ~ 500m LoRa: 0 ~ 2.5km
Transmit Power	ZigBee: 20dbm, LoRa: 20dbm,	Router Function	Yes (SPM21-Z、SPM21-ZP)
Bandwidth	ZigBee: 250Kbps (Max) LoRa: 0.123 ~ 300Kbps	Networking Function	Yes (SPM21-Z、SPM21-ZP)
Receiver Sensitivity	ZigBee: -105dBm LoRa: -148dBm	Antenna	Standard: omni-direction rod antenna, gain 2.5DB Support customize
Emission Current (Max)	ZigBee :175mA, LoRa: 120mA		
Receiving Current	ZigBee:17mA, LoRa:14mA		

Dimension & Installation

Unit: mm



Dimension



Order Information

Model	Option	Description
SPM21	Z	ZigBee Technology. Support short distance (<100m), wireless communication, support router, networking function
	ZP	ZigBee Technology. Support middle distance (< 500m), wireless communication, support router, networking function
	L	LoRa Technology. Support long distance (<2.5km), wireless communication