

Basic Function



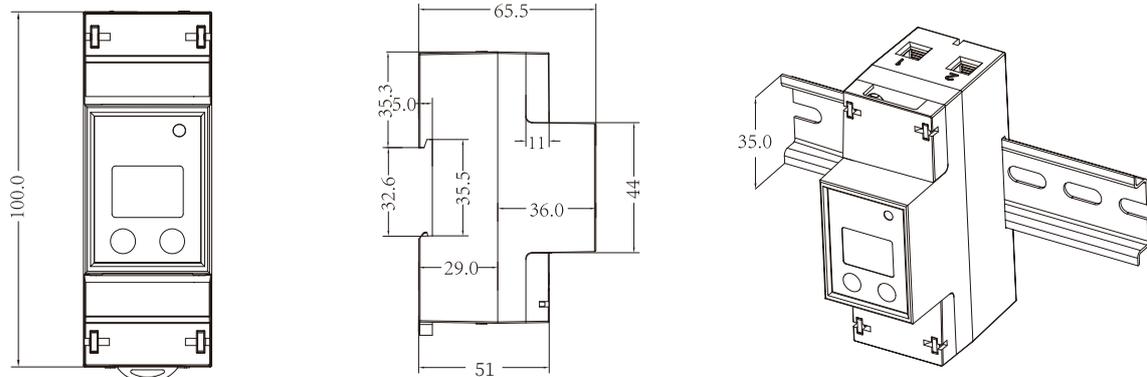
- Suit for 110V, 120V, 220V, 230V, 240V AC low voltage system
- Measure U, I, P, Q, S, PF, kWh, kvarh, LCD display U, I, P, kWh
- 6 +1 digits LCD display (999999.9 kWh)
- LED indicates pulse output
- Password protection
- One key for up/down page, one key for programming
- Small size: 100*36*65mm
- RS485 port , MODBUS-RTU or DL/T645 protocol (selectable)
- 35mm DIN rail installing, standard DIN ED5002
- Standard: IEC62053-21

Technical Specification

Display	6 +1 digits LCD display (999999.9 kWh)
Accuracy	kWh Class 1.0
Rated voltage	AC 230Vph-N or 110Vph-N (Optional) Range: 0.8Un~1.2Un
Rated(Max.) current	5 (63)A
Start current	0.4%Ib
Power consumption	<2W
Frequency	50Hz/ 60Hz (Optional)
Wire Diameters	7mm x 7mm (16mm ²)

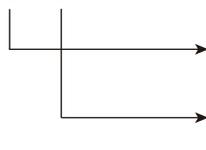
Pulse output	1 channels
Communication	RS485 port, MODBUS-RTU or DL/T 645 communication protocol
	Address: 1~247
	Baud rate: 2400, 4800, 9600bps (Default)
Creeping	Anti-creeping logic design
Dimension (L*W*H)	100*36*65mm (2 module)
Weight	200g
Environment	Operating temperature: -20℃~+55℃
	Storage temperature: -25℃~+70℃
	Humidity: 5%~95% non-condensing

Dimension



Order Information

DFPM91--①--②



V1	220V (Direct) (Suit for 220, 230, 240Vac ph-N)
V2	110V (Direct) (Suit for 110, 120Vac ph-N)
50	50Hz
60	60Hz

For example: DFPM91-V1-50, which indicates the device providing one RS485, one pulse output, rated input voltage 230Vac, frequency 50Hz, rated current 5(63)A.