

PolyGard® 2- MGC-03



MGC-03 2

4

MGC-03

-
-
-
-
-
- 2
- 2 30 VAC/DC, 0,5A, 24 VDC, 100 mA
- (0) 4 – 20 mA / (0) 2 – 10V
- IP 65 version
- UL 94V2
- 230 VAC ()
- (250 VAC, 5 A) ()
- () () ()
- () ()

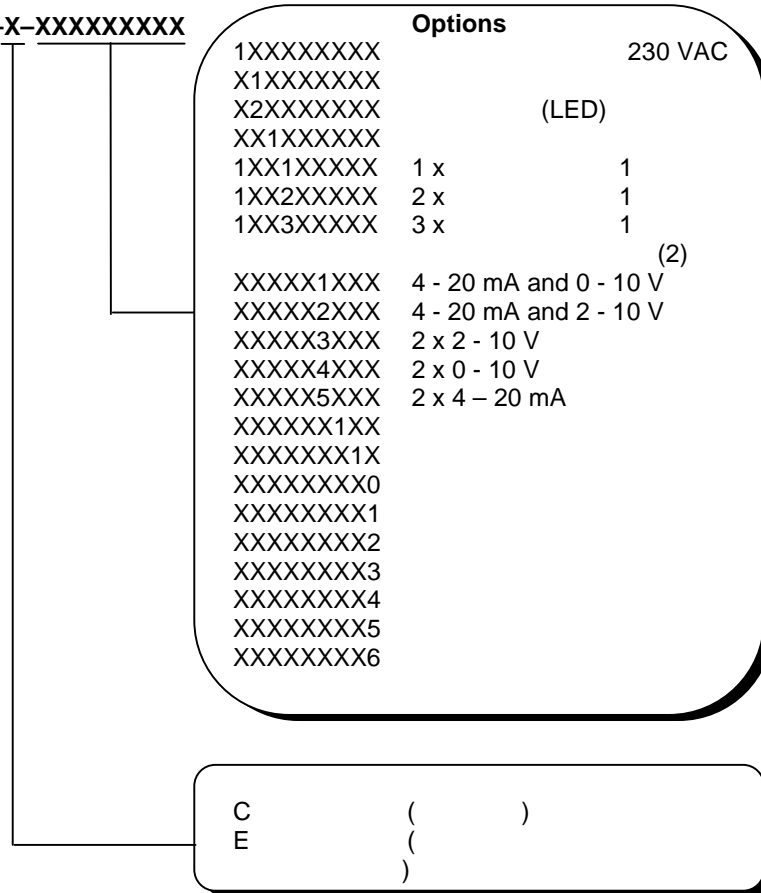
GAS ALARM SYSTEMS

		18 - 28 VDC/AC,
(2)	()	100 mA, max. (2,5 VA)
		4 – 20 mA, 200 Ω,
		(0) 2 – 10V, 25 kΩ,
		24 VDC max. charge 50 mA
		(0) 4 – 20 mA, ≤ 500
		(0) 2 – 10 V, 50 k
(1)		30 VAC/DC 0,5 A, potential-free, SPDT
(1)		30 VAC/DC 0,5 A, potential-free, SPNO/SPNC
(1)		30 VDC /0,1 A open collector output
		2 16
(4)		.- - 1- 2
		4 -
		83 dB (A) (200 mm/ 0.6 ft)
		2300 Hz
		4 -20 mA / (0) 2 -10 V
		15 – 90 % RH non-condensing
		-10 °C to + 50 °C (14 °F to 122 °F)
		5 °C to 30 °C (41 °F to 86 °F)
		± 10 %
	C	
		UL 94 V2
		RAL 7032 (-)
(W x H x D)		130 x 130 x 75 mm (5.12 x 5.12 x 2.95 inch.)
		0.6 kg (1.323 lbs.)
		IP 65
		Standard 6 x M 20
		, min. 0.25 mm ² (24 AWG) max. 2.5 mm ² (14 AWG)
		EMC Directive 2004/108/EEC
		Low Voltage Directive 73/23/EEC
		CE
		1

GAS ALARM SYSTEMS

	IP65, LED, 3500 lm.
	3 °C ±2°C (37.5 °F ± 3,6 °F)
	- 40 °C (- 40 °F)
	18 - 28 VDC/AC
230 VAC	0,3 A; 8 VA
	90 -250 VAC 50/60 Hz
	60 . ()
	250 VAC, 5 A,

MGC-03-0202-X-XXXXXXXXXX



1 230 VAC

: MGC-03,
4-20 mA / 2-10 V,

: MGC-03-0202-C-00002011



GAS ALARM SYSTEMS

