

PolyXeta®

XT-21-34 X-

4 - 20

(LEL),

XS / CKD.
M2 EEx-d

PolyXeta

4 to 20 mA

MSR-E).
PolyXeta
RS-485
PolyGuard MGC DGC
DDC/PLC



I M2 EEx-d I



ATEX MSR / Sensitron

10


(, 4-20mA)

4 - 20mA

3 (0, 10 20 mA)

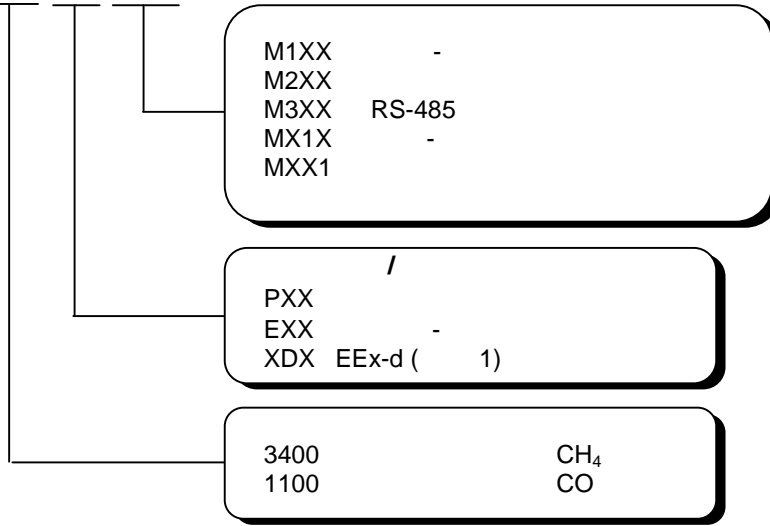
- ()
- ()
- ()
- RS 485 ()

GAS ALARM SYSTEMS

	12 - 24 VDC -20% +15%
VDC)	(12 90 mA, .130 mA
	4 to 20 mA, on 200 Ω
	10 (1024)
	RS-485
-	() . 24 VAC/DC, 1 A
-	() . 24 VAC/DC, 1 A
()	. 24 VDC, 20 mA
	CH4 / CO
	CO , -
	0-100 %LEL / 0-500 ppm
	t ₉₀ ≤ 60 s .
	± 5 % 10 %
	± 5 %
	300 .
	< 60 .
	20 to 90 % RH / 40 °C (104 °F)
	-10 °C to + 60 °C (14 °F to + 122 °F)
	-25 °C to + 60 °C (-13 °F to + 140 °F)
	800 to 1100 mBar (80 to 110 kPa)
	< 6m/sec.
(x x)	200 x 105 x 90 mm (7.87 x 4.13 x 3.54 In.)
()	2,5 kg (5.5 lbs.)
	IP65 ()
	1 x NPT ¾ In.
	, min. 0.25(24 AWG) max. 2.5 mm ² (14 AWG)
	. 200 Ω
	(= +)
ATEX	CE 0772  I M2 EEx d I
EC	CESI 04ATEX106 (EEx-d vers.)
	ATEX EN 61779 (Pending)
	One year on material and workmanship (without sensor)

GAS ALARM SYSTEMS

XT21-XXXX-XDX-MXXX



: , I M2 EEx-d I , - ,

: XT21-3400-PDX-M101

