

**PolyGard®
X3-34XX**

SPC-

SPC-X3-34XX

4



SPC-X3-34XX

-
-
-
-
- / /
-
- (0) 4 - 20 / (0) 2 - 10
- 2 30 VAC/DC, 0,5A
- 1 , 30 VDC, 0,05A
- 4 – 20 mA
-
- 230 VAC () ()
- 3 () , 250 VAC/DC 5A ()
- () ()
-

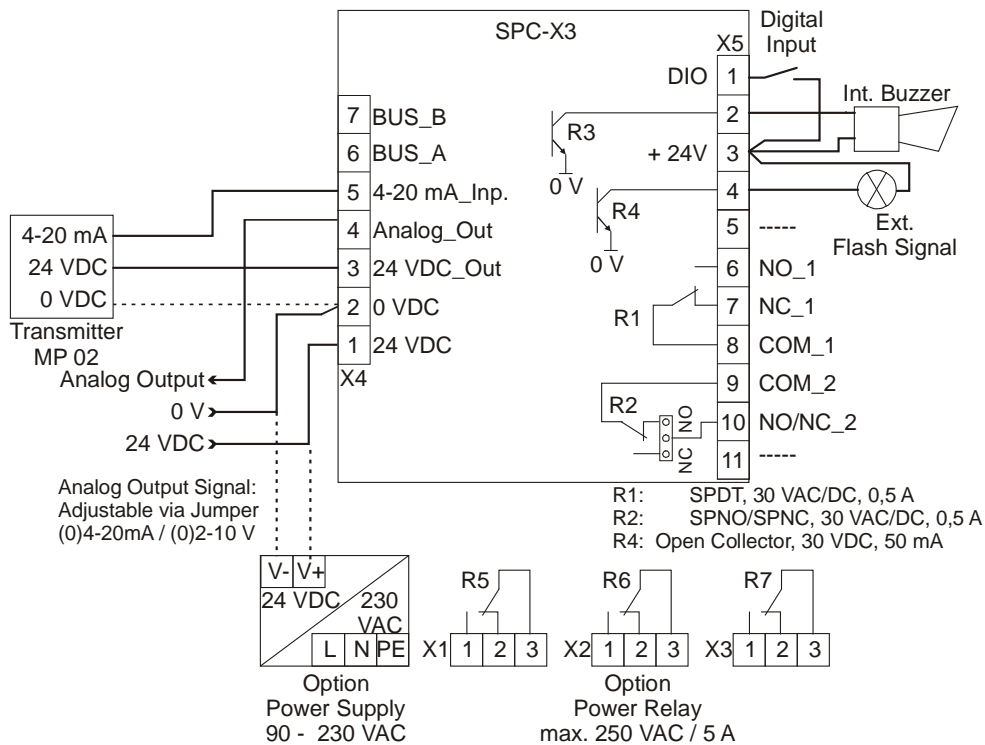
GAS ALARM SYSTEMS

	18 - 28 VDC/AC,
()	130 mA, (2,5 VA)
	0 (4) - 20 mA, ≤ 500
	0 (2) - 10 V, 50 k
(1)	30 VAC/DC 0,5 A, , SPDT
(1)	30 VAC/DC 0,5 A, , SPNO/SPNC
(1)	30 VDC /0,1 A 4 - 20 mA
	200 Ω
	24 VDC max. load 50 mA
(4)	2 , 16
	2 - - 1-
	4 -
	83 dB (A) (200 mm) (0.6 ft.) 2300 Hz
	(.)
	ADT
	15 - 95 % RH
	-10 °C + 50 °C (14 °F 122 °F)
	5 °C 30 °C (86 °F 122 °F)
	± 10 %
C*	Polycarbonate
	UL 94 V2
*	RAL 7032 (-)
(W x H x D)	130 x 130 x 75 mm (5.12 x 5.12 x 2.95 inch.)
	Approx. 0.6 kg (1.323 lbs.)
	IP 65
	Standard 6 x M 20
	, min. 0.25 mm ² (24 AWG) max. 2.5 mm ² (14 AWG)
	EMC Directives 2004 / 108 / EEC
	CE
	1 ()

GAS ALARM SYSTEMS

230 VAC	
	90 bis 250 VAC 50/60 Hz
	230 VAC, 5 A,
	60 .
	IP65, LED, 3500 lm.
	3 °C ±2°C (37,5 °F ± 3.6°F) - 40 °C (- 40 °F)
	18 - 28 VDC/AC 0,5 A; 12 VA

СХЕМА ПОДЛЮЧЕНИЯ



GAS ALARM SYSTEMS

SPC-X3-3XXX-X-XXXXXXXXXX

1XXXXXXXXX		230 VAC ¹
2XXXXXXXXX		2
X3XXXXXXXX		
XX1XXXXXXXX		
1XX1XXXXXX	1 x	2
1XX2XXXXXX	2 x	2
1XX3XXXXXX	3 x	2
XXXXXXXX1X		
XXXXXXXXX0		
XXXXXXXXX1		
XXXXXXXXX2		
XXXXXXXXX3		
XXXXXXXXX4		
XXXXXXXXX5		
XXXXXXXXX6		

C	()	
B		
5		
E	(EPS/)	

23-3400	Methane	CH ₄	0 - 100% LEL
23-3408	Ammoniac	NH ₃	0 - 100% LEL
23-3410	Ethylene	C ₂ H ₄	0 - 100% LEL
23-3425	Ethyl alcohol	C ₂ H ₆ O	0 - 100% LEL
23-3427	Ethyl-acetate	C ₄ H ₈ O ₂	0 - 100% LEL
23-3430	Benzene	C ₆ H ₆	0 - 100% LEL
23-3435	n-Hexane	C ₆ H ₁₄	0 - 100% LEL
23-3440	Hydrogen	H ₂	0 - 100% LEL
23-3445	Iso propanol alcohol	C ₃ H ₈ O	0 - 100% LEL
23-3450	Methanol	CH ₄ O	0 - 100% LEL
23-3458	Methyl ethyl ketone	C ₄ H ₈ O	0 - 100% LEL
23-3460	n-Butane	C ₄ H ₁₀	0 - 100% LEL
23-3470	n-Octane	C ₈ H ₁₈	0 - 100% LEL
23-3475	n-Pentane	C ₅ H ₁₂	0 - 100% LEL
23-3480	Propane (LPG)	C ₃ H ₈	0 - 100% LEL
23-3485	Acetone	C ₃ H ₆ O	0 - 100% LEL
23-3490	Toluene	C ₇ H ₈	0 - 100% LEL
23-3491	n-Heptane	C ₇ H ₁₆	0 - 100% LEL
23-3498	JP8		0 - 100% LEL
E3-3482	Nitrogen trifluoride (Semi.)	NF ₃	5 - 50 ppm
D3-3400	Methane (Infrared)	CH ₄	0 - 100% LEL
D3-3480	Propane (Infrared)	C ₃ H ₈	0 - 100% LEL
43-3H55	Methane (Semi-cond.)	CH ₄	0 - 50% LEL
43-3H60	n-Butane (Semi-cond.)	C ₄ H ₁₀	0 - 100% LEL
43-3H80	Propane (Semi-cond.)	C ₃ H ₈	0 - 100% LEL

1

2

230 VAC



GAS ALARM SYSTEMS

: SPC-X3 ,
, 0 - 100 % LEL,
.: **SPC-23-3400-5-01000011**

